

A10

1U Passive Air Cooler

PRODUCT SPECIFICATIONS

NEW PRODUCT SPEC SHEET

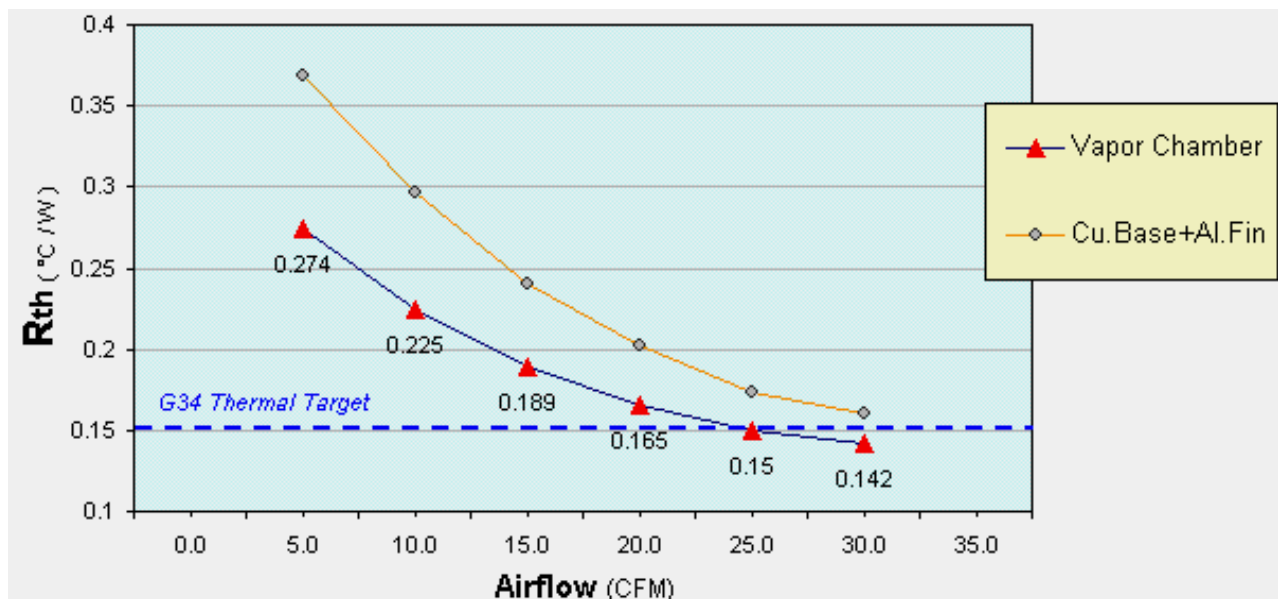
Model Number: A10

- Recommend for AMD® Opteron™ 6100 Series, Socket G34 Processor
- Vapor Chamber Passive Heat Sink for One-U Server

Overall Specification:

- Overall Dimension: 114.2 x 74.0 x 27.0 mm
- Mounting Pitch 4.1" (104.1 mm)
- Overall Weight: 350 ± 5g
- Copper1100 Vapor Chamber Base
- Copper1100 Stacked Top Sealed Fins
- Thermal Resistance 0.14 to 0.27 °C/W, which depends on System Airflow Rate
- Easy Screw-on Captive Mounting
- Thermal Grease Pre-Printed with Shin-Etsu 7762
- Support CPU Power 115 Watts Heat Dissipation
- Bolster Plate is not included

Performance Chart, A10 Thermal Resistance VS. Airflow Rate



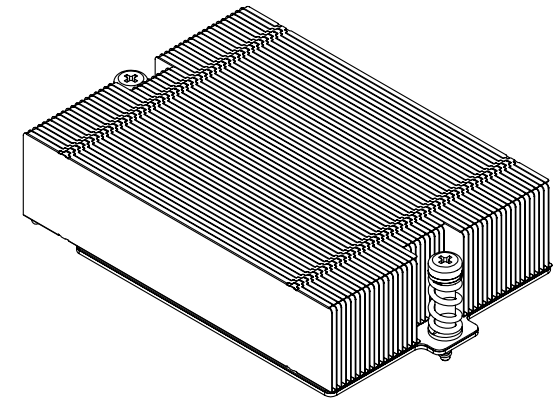
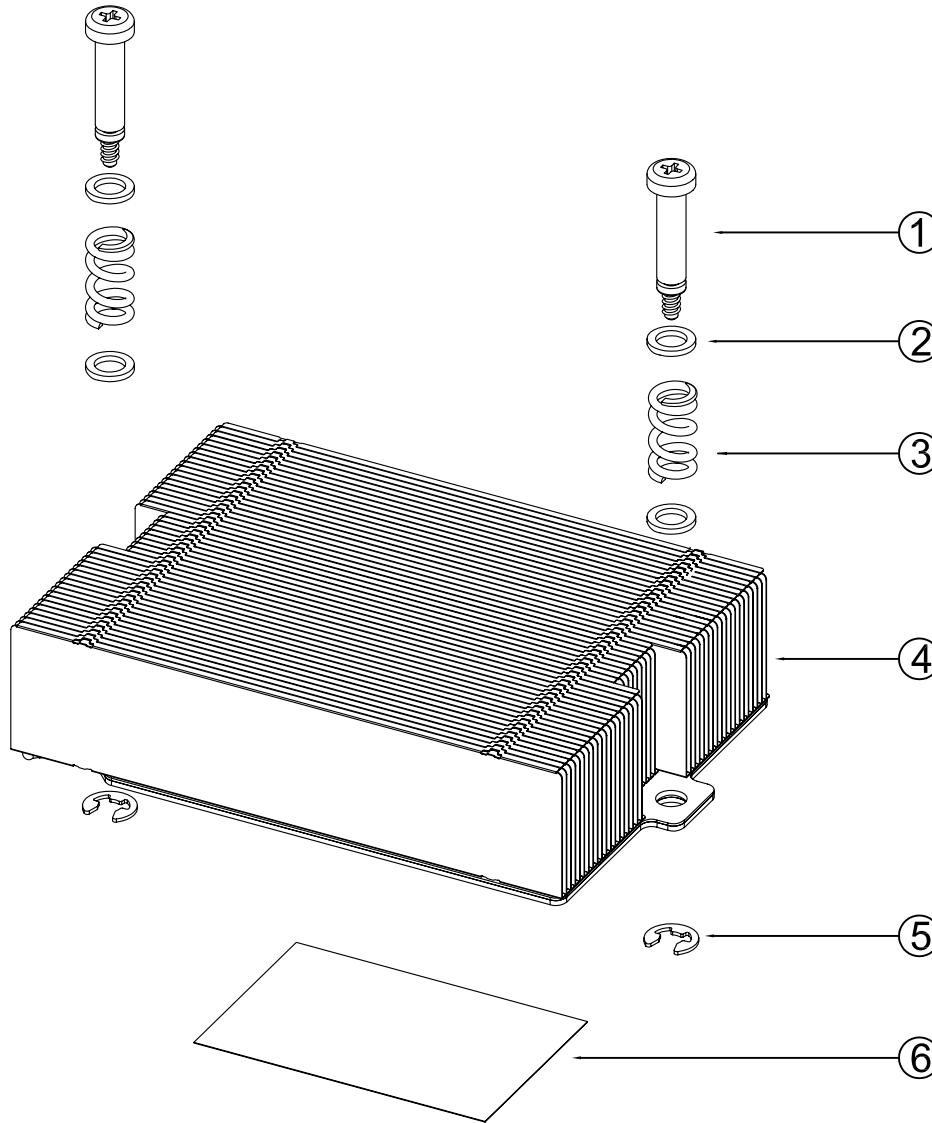
CONFIDENTIAL DOCUMENT

THIS DRAWING CONTAINS INFORMATION PROPRIETARY TO DYNATRON CORPORATION AND DYNAEON INDUSTRIAL CO., LTD. ANY REPRODUCTION, DISCLOSURE, OR USE OF THIS DRAWING IS EXPRESSLY PROHIBITED EXCEPT AS DYNATRON CORPORATION AND DYNAEON INDUSTRIAL CO., LTD. MAY OTHERWISE AGREE TO IN WRITING.

ITEM#	DESCRIPTION	CHECKER	DATE
01	INITIAL RELEASE	LANG	05/11/2010

ASSEMBLY PARTS

WHOLE SET OF HEATSINK



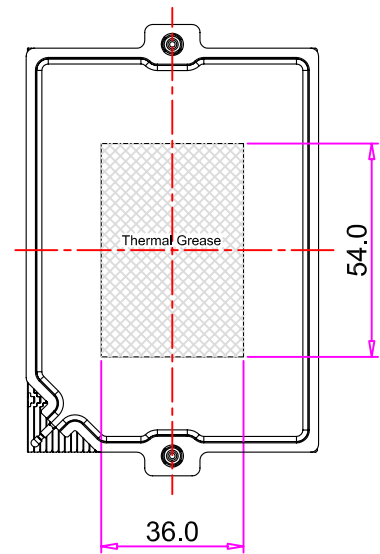
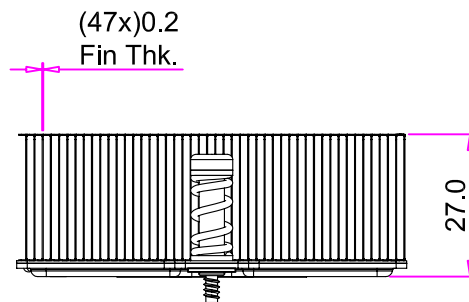
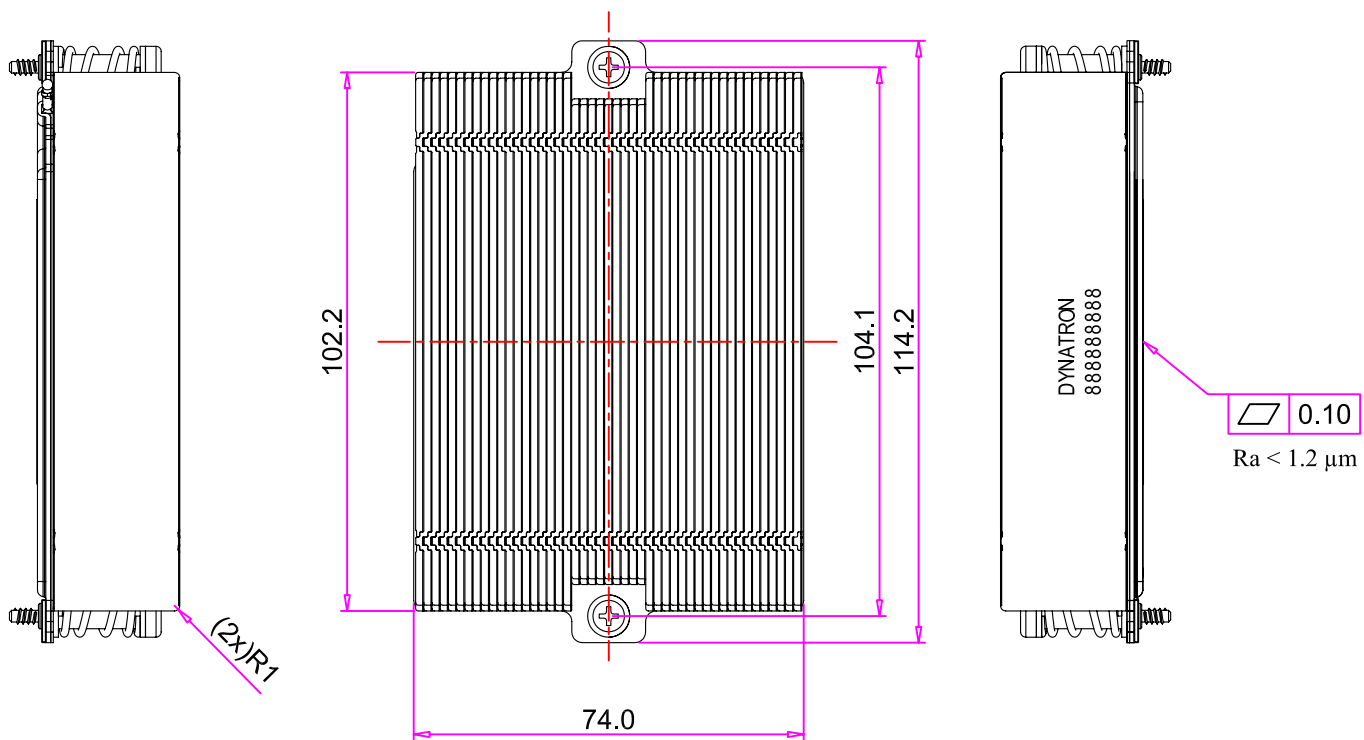
NOTES:

1. THE FIGURE IS FOR REFERENCE ONLY, AND NOT FOR SCALE
2. OVERALL DIMENSION : 114.2 x 74.0 x 27.0 mm
3. OVERALL WEIGHT LIMIT : 350g

Item#	Description	Material	QTY.
6	Thermal Grease	Shin-Etsu G751, Pre-Printed	1
5	E-Clip	Steel	2
4	Heatsink Module	Vapor Chamber Base + Copper Fin	1
3	Spring, Ø1.4*15.5mm L	SWP	2
2	Washer, Thk 1.0mm	Steel	4
1	Screw, #6-32 unc, Heatsink	Steel	2

DATE	NAME	DYNATRON CORPORATION	
DRAWN 05/11/2010	Engr	TITLE: Vapor Chamber 1U Passive Heatsink A10 BOM & Exploded Assembly Drawing	
CHECKED 05/11/2010	LANG		
ENG. APPR.			
MFG. APPR.			
QA		DWG. No.	REV
COMMENTS:		DYN-EP-A10	00

ITEM#	DESCRIPTION	CHECKER	DATE
1	Initial Release	LANG	05 / 11 / 10



Bottom Surface
Thermal Grease Pre-Print Zone
Scale 3/4 : 1

	NAME	DATE
DRAWN BY	Engr.	05/11/2010
CHECKED BY	LANG	05/11/2010
ENG. APPROVED		
MFG. APPROVED	-	-



DYNATRON CORPORATION

TITLE:

Vapor Chamber
1U Passive Heatsink **A10**
Overall Dimension Drawing

CONFIDENTIAL DOCUMENT

THIS DRAWING CONTAINS INFORMATION PROPRIETARY TO DYNATRON CORPORATION AND DYNAEON INDUSTRIAL CO., LTD. ANY REPRODUCTION, DISCLOSURE, OR USE OF THIS DRAWING IS EXPRESSLY PROHIBITED EXCEPT AS DYNATRON CORPORATION AND DYNAEON INDUSTRIAL CO., LTD. MAY OTHERWISE AGREE TO IN WRITING.

VIEW	
UNITS	MM

DWG. No:

DYN-DM-A10

REV.
00