



AMD SR5670 Databook

**Technical Reference Manual
Rev 2.20**

P/N: 44549_sr5670_ds_pub
© 2012 Advanced Micro Devices, Inc.

Trademarks

AMD, the AMD Arrow logo, AMD PowerNow!, AMD Virtualization, AMD-V, and combinations thereof are trademarks of Advanced Micro Devices, Inc.

HyperTransport is a licensed trademark of the HyperTransport Technology Consortium.

Microsoft, Windows, and Windows Server are registered trademarks of Microsoft Corporation.

PCI Express and PCIe are registered trademarks of PCI-SIG.

Other product names used in this publication are for identification purposes only and may be trademarks of their respective companies.

Disclaimer

The contents of this document are provided in connection with Advanced Micro Devices, Inc. ("AMD") products. AMD makes no representations or warranties with respect to the accuracy or completeness of the contents of this publication and reserves the right to make changes to specifications and product descriptions at any time without notice. AMD assumes no liability whatsoever, and disclaims any express or implied warranty, relating to this document including, but not limited to, the implied warranty of merchantability, fitness for a particular purpose, or infringement of any intellectual property right. AMD shall not be liable for any damage, loss, expense, or claim of loss of any kind or character (including without limitation direct, indirect, consequential, exemplary, punitive, special, incidental or reliance damages) arising from use of or reliance on this document. No license, whether express, implied, arising by estoppel, or otherwise, to any intellectual property rights are granted by this publication. Except for AMD product purchased pursuant to AMD's Standard Terms and Conditions of Sale, and then only as expressly set forth therein, AMD's products are not designed, intended, authorized or warranted for use as components in systems intended for surgical implant into the body, or in other applications intended to support or sustain life, or in any other application in which the failure of AMD's product could create a situation where personal injury, death, or severe property or environmental damage may occur. AMD reserves the right to discontinue or make changes to its products at any time without notice.

Table of Contents

Chapter 1: Overview

1.1	Introducing the SR5670	1-1
1.2	SR5670 Features	1-1
1.2.1	CPU Interface	1-1
1.2.2	PCI Express® Interface	1-1
1.2.3	A-Link Express II Interface	1-1
1.2.4	Multiple Processor Support	1-2
1.2.5	Multiple Northbridge Support	1-2
1.2.6	Power Management Features	1-2
1.2.7	PC Design Guide Compliance	1-2
1.2.8	Test Capability Features	1-2
1.2.9	Packaging	1-2
1.3	Software Features	1-2
1.4	Device ID	1-3
1.5	Branding Diagrams	1-3
1.6	Conventions and Notations	1-4
1.6.1	Pin Names	1-4
1.6.2	Pin Types	1-4
1.6.3	Numeric Representation	1-4
1.6.4	Hyperlinks	1-5
1.6.5	Acronyms and Abbreviations	1-5

Chapter 2: Functional Descriptions

2.1	HyperTransport™ Interface	2-1
2.1.1	Overview	2-1
2.1.2	HyperTransport™ Flow Control Buffers	2-3
2.2	IOMMU	2-4
2.3	Multiple Northbridge Support	2-4
2.4	Interrupt Handling	2-4
2.4.1	Legacy INTx Handling	2-4
2.4.2	Non-SB IOAPIC Support	2-4
2.4.3	Integrated IOAPIC Support	2-5
2.4.4	MSI Interrupt Handling and MSI to HT Interrupt Conversion	2-5
2.4.5	Internally Generated Interrupts	2-5
2.4.6	IOMMU Interrupt Remapping	2-5
2.4.7	Interrupt Routing Architecture	2-5
2.5	RAS Features	2-7
2.5.1	Parity Protection	2-7
2.5.2	SERR_FATAL# and NON_FATAL_CORR# Pins	2-7
2.5.3	NMI# and SYNCFLOODIN#	2-8
2.5.4	Suggested Platform Level RAS Sideband Signal Connections	2-8
2.5.5	Error Reporting and Logging	2-9
2.5.6	Interrupt Generation on Errors	2-11
2.5.7	Poisoned Data Support	2-11
2.5.8	PCIe® Link Disable State	2-11

2.5.9	HT Syncflood Based on PCIe® Error	2-12
2.6	PCI Express®	2-12
2.6.1	PCIe® Ports	2-12
2.6.2	PCIe® Reset Signals	2-12
2.7	External Clock Chip	2-13

Chapter 3: Pin Descriptions and Strap Options

3.1	Pin Assignment Top View	3-2
3.2	SR5670 Interface Block Diagram	3-4
3.3	CPU HyperTransport™ Interface	3-4
3.4	PCI Express® Interfaces	3-5
3.4.1	PCI Express® Interface for General Purpose External Devices	3-5
3.4.2	A-Link Express II Interface to Southbridge	3-5
3.4.3	Miscellaneous PCI Express® Signals	3-6
3.5	Clock Interface	3-6
3.6	Power Management Pins	3-6
3.7	Miscellaneous Pins	3-7
3.8	Power Pins	3-8
3.9	Ground Pins	3-9
3.10	Strapping Options	3-10

Chapter 4: Timing Specifications

4.1	HyperTransport™ Bus Timing	4-1
4.2	PCI Express® Differential Clock AC Specifications	4-1
4.3	HyperTransport™ Reference Clock Timing Parameters	4-1
4.4	OSCIN Reference Clock Timing Parameters	4-2
4.5	Power Rail Sequence	4-2
4.5.1	Power Up	4-3
4.5.2	Power Down	4-4

Chapter 5: Electrical Characteristics and Physical Data

5.1	Electrical Characteristics	5-1
5.1.1	Maximum and Minimum Ratings	5-1
5.1.2	DC Characteristics	5-1
5.2	SR5670 Thermal Characteristics	5-2
5.2.1	SR5670 Thermal Limits	5-2
5.2.2	Thermal Diode Characteristics	5-3
5.3	Package Information	5-4
5.3.1	Pressure Specification	5-5
5.3.2	Board Solder Reflow Process Recommendations	5-6

Chapter 6: Power Management and ACPI

6.1	ACPI Power Management Implementation	6-1
-----	--	-----

Chapter 7: Testability

7.1	Test Capability Features	7-1
7.2	Test Interface	7-1
7.3	XOR Tree	7-1

7.3.1	Brief Description of an XOR Tree	7-1
7.3.2	Description of the XOR Tree for the SR5670	7-2
7.3.3	XOR Tree Activation	7-2
7.3.4	XOR Tree for the SR5670	7-3
7.4	VOH/VOL Test	7-4
7.4.1	Brief Description of a VOH/VOL Tree	7-4
7.4.2	VOH/VOL Tree Activation	7-5
7.4.3	VOH/VOL pin list	7-6

Appendix A: Pin Listings

7.5	SR5670 Pin Listing Sorted by Ball Reference	A-2
A.1	SR5670 Pin Listing Sorted by Pin Name	A-9

Appendix B: Revision History

This page is left blank intentionally.

List of Figures

Figure 1-1: SR5670 Branding Diagram for A21 Production ASIC (RoHS-compliant Part)	1-3
Figure 1-2: SR5670 Branding Diagram for A21 Production ASIC (Lead Free Part)	1-3
Figure 1-3: SR5670 Alternate Branding for A21 Production ASIC (Lead Free Part)	1-4
Figure 2-1: SR5670 Internal Blocks and Interfaces	2-1
Figure 2-2: HyperTransport™ Interface Block Diagram	2-2
Figure 2-3: SR5670 HyperTransport™ Interface Signals	2-3
Figure 2-4: Interrupt Routing Paths in Legacy Mode	2-6
Figure 2-5: Interrupt Routing Paths in Legacy Mode with Integrated IOAPIC	2-6
Figure 2-6: Interrupt Routing Path in MSI Mode	2-7
Figure 2-7: Suggested Platform Level RAS Sideband Signal Connections	2-9
Figure 3-1: SR5670 Interface Block Diagram	3-4
Figure 4-1: SR5670 Power Rail Power Up Sequence	4-3
Figure 5-2: SR5670 692-Pin FCBGA Package Outline	5-4
Figure 5-3: SR5670 Ball Arrangement (Bottom View)	5-5
Figure 5-4: RoHS/Lead-Free Solder (SAC305/405 Tin-Silver-Copper) Reflow Profile	5-7
Figure 7-1: XOR Tree	7-2
Figure 7-2: Sample of a Generic VOH/VOL Tree	7-5

This page is left blank intentionally.

List of Tables

Table 1-1: Device IDs for the SR5690/5670/5650 Chipset Family	1-3
Table 1-2: Pin Type Codes	1-4
Table 1-3: Acronyms and Abbreviations	1-5
Table 2-1: SR5670 HyperTransport™ Flow Control Buffers	2-3
Table 2-2: Types of Errors Detectable by the SR5670 AER Implementation	2-10
Table 2-3: Types of HyperTransport™ Errors Supported by the SR5670	2-11
Table 2-4: Possible Configurations for the PCI Express® General Purpose Links	2-12
Table 3-1: HyperTransport™ Interface	3-4
Table 3-2: PCI Express® Interface for General Purpose External Devices	3-5
Table 3-3: 1 x 4 Lane A-Link Express II Interface for Southbridge	3-5
Table 3-4: Miscellaneous PCI Express® Signals	3-6
Table 3-5: Clock Interface	3-6
Table 3-6: Power Management Pins	3-6
Table 3-7: Miscellaneous Pins	3-7
Table 3-8: Power Pins	3-8
Table 3-9: Ground Pins	3-9
Table 3-10: Strap Definitions for the SR5670	3-10
Table 3-11: Strap Definition for STRAP_PCIE_GPP_CFG	3-10
Table 4-1: Timing Requirements for PCIe® Differential Clocks (GPP1_REFCLK, GPP2_REFCLK, and GPP3_REFCLK at 100MHz)	4-1
Table 4-2: Timing Requirements for HyperTransport™ Reference Clock (100MHz)	4-1
Table 4-3: Timing Requirements for OSCIN Reference Clock (14.3181818MHz)	4-2
Table 4-4: Power Rail Groupings for the SR5670	4-2
Table 4-5: SR5670 Power Rail Power-up Sequence	4-3
Table 5-1: Power Rail Maximum and Minimum Voltage Ratings	5-1
Table 5-2: Power Rail Current Ratings	5-1
Table 5-1: DC Characteristics for PCIe® Differential Clocks (GPP1_REFCLK, GPP2_REFCLK, and GPP3_REFCLK at 100MHz)	5-1
Table 5-3: DC Characteristics for 1.8V GPIO Pads	5-2
Table 5-4: DC Characteristics for the HyperTransport™ 100MHz Differential Clock (HT_REFCLK)	5-2
Table 5-5: SR5670 Thermal Limits	5-2
Table 5-6: SR5670 692-Pin FCBGA Package Physical Dimensions	5-4
Table 5-7: Recommended Board Solder Reflow Profile - RoHS/Lead-Free Solder	5-6
Table 6-1: ACPI States Supported by the SR5670	6-1
Table 7-1: Pins on the Test Interface	7-1
Table 7-2: Example of an XOR Tree	7-2
Table 7-3: SR5670 XOR Tree	7-3
Table 7-4: Truth Table for the VOH/VOL Tree Outputs	7-5
Table 7-5: SR5670 VOH/VOL Tree	7-6

This page intentionally left blank.

Chapter 1

Overview

1.1 Introducing the SR5670

The SR5670 (formerly RD870S) is the system logic of the latest server/workstation platform from AMD that enables its next generation CPUs. The SR5670 has a total of 34 PCI Express® (PCIe®) lanes: 30 lanes are dedicated for external PCIe devices, and 4 are dedicated for the A-Link Express II interface to AMD's Southbridges such as the SP5100 (formerly SB700S). The SR5670 also comes equipped with the new HyperTransport™ 3 and PCIe Gen 2 technologies. All of these are achieved by a highly integrated, thermally efficient design in a 29mm x 29mm package.

The SR5670 introduces a variety of Reliability, Availability and Serviceability (RAS) capabilities. These include parity protection for on-chip memories, PCI Express Advanced Error Reporting (AER), and advanced error handling capabilities for HyperTransport.

The SR5670 also supports a revision 1.26 compliant IOMMU (Input/Output Memory Management Unit) implementation for address translation and protection services. This feature allows virtual addresses from PCI Express endpoint devices to be translated to physical memory addresses. On-chip caching of address translations is provided to improve I/O performance. The device is also compliant with revision 1.0 of the PCI Express Address Translation Services (ATS) specification to enable ATS-compliant endpoint devices to cache address translation. These features enhance memory protection and support hardware-based I/O virtualization when combined with appropriate operating system or hypervisor software. Combined with AMD Virtualization™ (AMD-V™) technology, these features are designed to provide comprehensive platform level virtualization support.

1.2 SR5670 Features

1.2.1 CPU Interface

- Supports 16-bit up/down HyperTransport™ (HT) 3.0 interface up to 5.2 GT/s.
- Supports 200, 400, 600, 800, and 1000 MHz HT1 frequencies.
- Supports 1200, 1400, 1600, 1800, 2000, 2200, 2400, and 2600 MHz HT3 frequencies (up to 2400 MHz only for the RX980).
- Supports “Shanghai” and subsequent series of AMD server/workstation and desktop processors through sockets F, AM3, G34, and C32.
- Supports LDTSTOP interface and CPU throttling.

1.2.2 PCI Express® Interface

- Supports PCIe Gen 2 (version 2.0).
- Optimized peer-to-peer and general purpose link performance.
- Supports 30 PCIe Gen 2 general purpose lanes, and up to 9 devices on specific ports (possible configurations are described in [Section 2.6, “PCI Express®”](#)).
- Supports a revision 1.26 compliant IOMMU (Input/Output Memory Management Unit) implementation for address translation and protection services. Please refer to the *AMD I/O Virtualization Technology (IOMMU) Specification* for more details.

1.2.3 A-Link Express II Interface

- One x4 A-Link Express II interface for connection to an AMD Southbridge. The A-Link Express II is a proprietary interface developed by AMD based on the PCI Express technology, with additional Northbridge-Southbridge messaging functionalities.

1.2.4 Multiple Processor Support

- Supports multiple-socket configurations for up to 8 processors on the same system.

1.2.5 Multiple Northbridge Support

- Supports multiple-SR5690/5670/5650 configurations on the same system. See [Section 2.3, “Multiple Northbridge Support,”](#) for details.

1.2.6 Power Management Features

- Fully supports ACPI states S1, S3, S4, and S5.
- The Chip Power Management Support logic supports four device power states defined for the OnNow Architecture—On, Standby, Suspend, and Off. Each power state can be achieved by software control bits.
- Support for AMD PowerNow!™ technology.
- Clocks are controlled dynamically using a mechanism that is transparent to the software. The ASIC hardware detects idle blocks and turns off the clocks to those blocks in order to reduce power consumption.
- Supports dynamic lane reduction for the PCIe interfaces, adjusting to the task the number of lanes employed.

1.2.7 PC Design Guide Compliance

The SR5670 complies with all relevant Windows Logo Program (WLP) requirements from Microsoft® for WHQL certification.

1.2.8 Test Capability Features

The SR5670 has a variety of test modes and capabilities that provide a very high fault coverage and low DPM (Defect Per Million) ratio:

- Full scan implementation on the digital core logic which provides about 97% fault coverage through ATPG (Automatic Test Pattern Generation Vectors).
- Dedicated test logic for the on-chip custom memory macros to provide complete coverage on these modules.
- A JTAG test mode in order to allow board level testing of neighboring devices.
- An XOR tree test mode on all the digital I/O's to allow for proper soldering verification at the board level.
- Access to the analog modules and PLLs in the SR5670 in order to allow full evaluation and characterization of these modules.
- IDDQ mode support to allow chip evaluation through current leakage measurements.
- Highly advanced signal observability through the debug port.

These test modes can be accessed through the settings of the instruction register of the JTAG circuitry.

1.2.9 Packaging

- Single chip solution in 65nm, 1.1V CMOS technology.
- Flip chip design in a 29mm x 29mm 692-FCBGA package.

1.3 Software Features

- Supports Windows Server® 2003, Windows Server® 2008, Red Hat Enterprise Linux, SUSE Linux, and Solaris.
- Supports corporate manageability requirements such as DMI.
- ACPI support.
- Full write combining support for maximum performance.
- Comprehensive OS and API support.
- Extensive Power Management support.

1.4 Device ID

The SR5670 is a member of the AMD chipset family, which consists of different devices designed to support different platforms. Each device is identified by a device ID, which is stored in the NB_DEVICE_ID register. The device IDs for the SR5650/5690/5670 chipset family are as follows:

Table 1-1 Device IDs for the SR5690/5670/5650 Chipset Family

Device	Device ID
SR5690	5A10h
SR5670	5A12h
SR5650	5A13h

1.5 Branding Diagrams

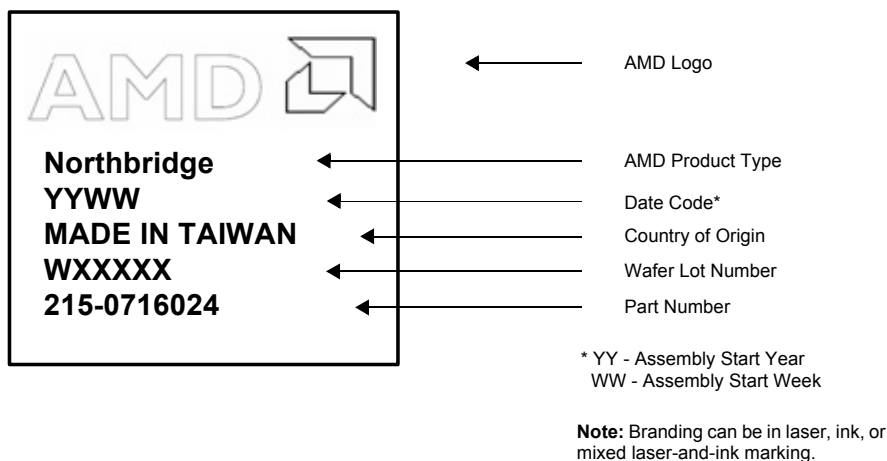


Figure 1-1 SR5670 Branding Diagram for A21 Production ASIC (RoHS-compliant Part)

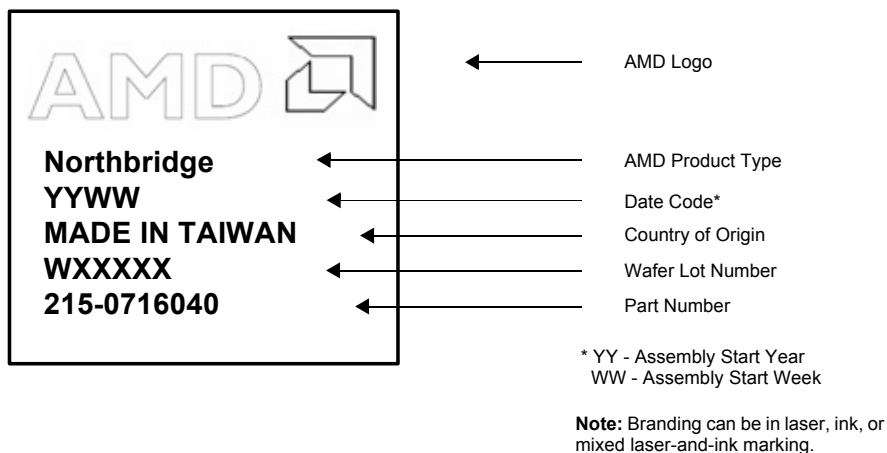


Figure 1-2 SR5670 Branding Diagram for A21 Production ASIC (Lead Free Part)

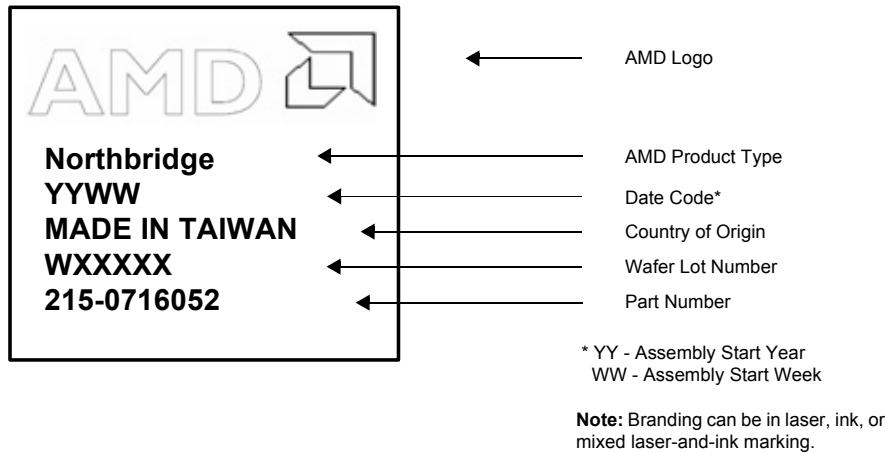


Figure 1-3 SR5670 Alternate Branding for A21 Production ASIC (Lead Free Part)

1.6 Conventions and Notations

The following sections explain the conventions used throughout this manual.

1.6.1 Pin Names

Pins are identified by their pin names or ball references. All active-low signals are identified by the suffix ‘#’ in their names (e.g., SYSRESET#).

1.6.2 Pin Types

The pins are assigned different codes according to their operational characteristics. These codes are listed in [Table 1-2](#).

Table 1-2 Pin Type Codes

Code	Pin Type
I	Digital Input
O	Digital Output
I/O	Bi-Directional Digital Input or Output
M	Multifunctional
Pwr	Power
Gnd	Ground
A-O	Analog Output
A-I	Analog Input
A-I/O	Analog Bi-Directional Input/Output
A-Pwr	Analog Power
A-Gnd	Analog Ground
Other	Pin types not included in any of the categories above

1.6.3 Numeric Representation

Hexadecimal numbers are appended with “h” whenever there is a risk of ambiguity. Other numbers are in decimal.

Pins of identical functions but different trailing digits (e.g., DFT_GPIO0, DFT_GPIO1, ...DFT_GPIO5) are referred to collectively by specifying their digits in square brackets and with colons (i.e., “DFT_GPIO[5:0]”). A similar short-hand notation is used to indicate bit occupation in a register. For example, NB_COMMAND[15:10] refers to the bit positions 10 through 15 of the NB_COMMAND register.

1.6.4 Hyperlinks

Phrases or sentences in *blue italic font* are hyperlinks to other parts of the manual. Users of the PDF version of this manual can click on the links to go directly to the referenced sections, tables, or figures.

1.6.5 Acronyms and Abbreviations

The following is a list of the acronyms and abbreviations used in this manual.

Table 1-3 Acronyms and Abbreviations

Acronym	Full Expression
ACPI	Advanced Configuration and Power Interface
ASPM	Active State Power Management
A-Link-E	A-Link Express interface between the Northbridge and Southbridge.
BGA	Ball Grid Array
BIOS	Basic Input Output System. Initialization code stored in a ROM or Flash RAM used to start up a system or expansion card.
BIST	Built In Self Test.
DBI	Dynamic Bus Inversion
DPM	Defects per Million
EPROM	Erasable Programmable Read Only Memory
FCBGA	Flip Chip Ball Grid Array
FIFO	First In, First Out
VSS	Ground
GPIO	General Purpose Input/Output
HT	HyperTransport™ interface
IDDQ	Direct Drain Quiescent Current
IOMMU	Input/Output Memory Management Unit
JTAG	Joint Test Access Group. An IEEE standard.
MB	Mega Byte
NB	Northbridge
PCI	Peripheral Component Interface
PCIe®	PCI Express®
PLL	Phase Locked Loop
POST	Power On Self Test
PD	Pull-down Resistor
PU	Pull-up Resistor
RAS	Reliability, Availability and Serviceability
SB	Southbridge
TBA	To Be Added
VRM	Voltage Regulation Module

This page is left blank intentionally.

Chapter 2

Functional Descriptions

This chapter describes the functional operation of the major interfaces of the SR5670 system logic chip. [Figure 2-1](#) illustrates the SR5670 internal blocks and interfaces.

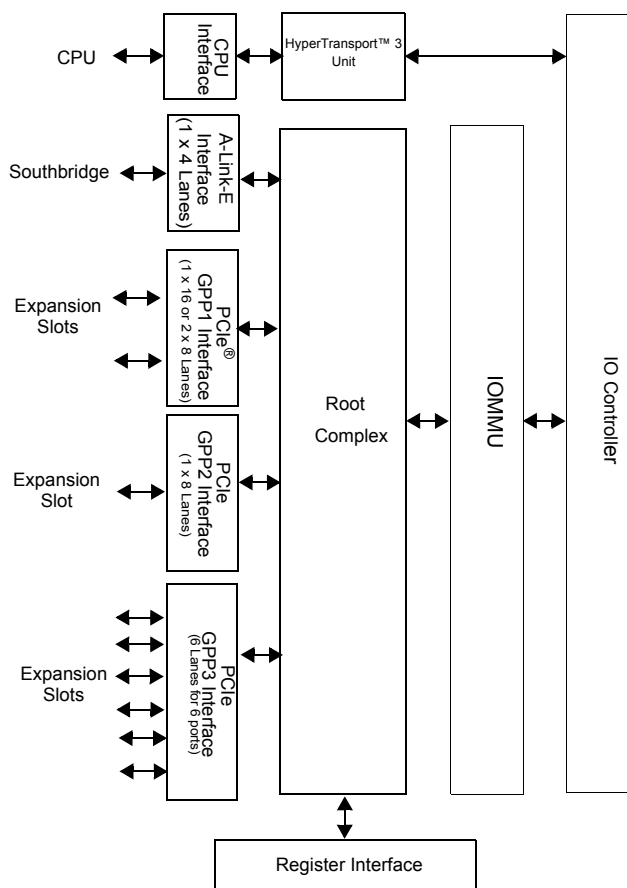


Figure 2-1 SR5670 Internal Blocks and Interfaces

2.1 HyperTransport™ Interface

2.1.1 Overview

The SR5670 is optimized to interface with “Shanghai” and subsequent series of AMD server/workstation and desktop processors through sockets F, AM3, G34, and C32. The SR5670 supports HyperTransport™ 3 (HT3), as well as HyperTransport 1 (HT1) for backward compatibility and for initial boot-up. For a detailed description of the interface, please refer to the *HyperTransport I/O Link Specification* from the HyperTransport Consortium. [Figure 2-2](#), “*HyperTransport™ Interface Block Diagram*,” illustrates the basic blocks of the host bus interface of the SR5670.

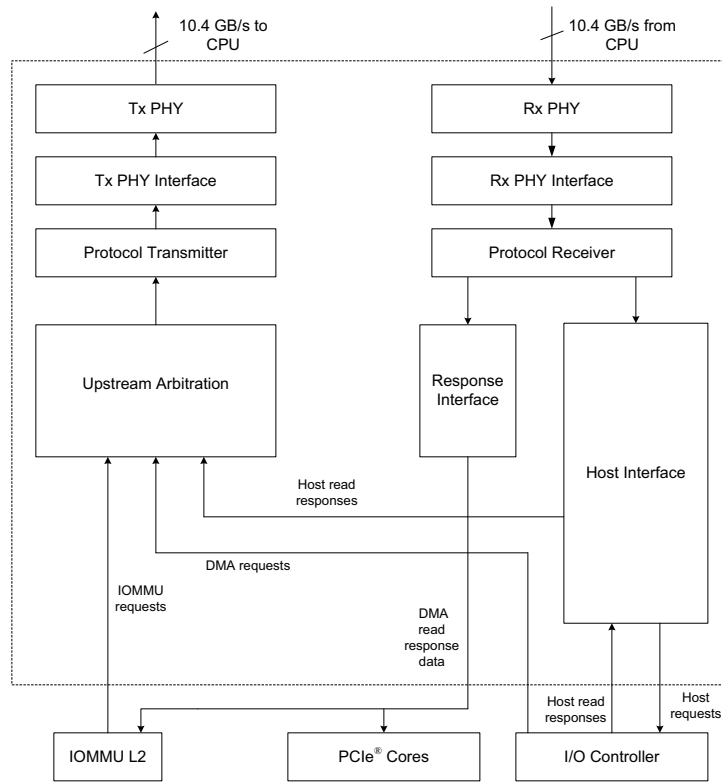


Figure 2-2 HyperTransport™ Interface Block Diagram

The SR5670 HyperTransport bus interface consists of 16 unidirectional differential Command/Address/Data pins, and 2 differential Control pins and 2 differential Clock pins in both the upstream and downstream directions. On power up, the link is 8-bit wide and runs at a default speed of 400MT/s in HyperTransport 1 mode. After negotiation, carried out by the HW and SW together, the link width can be brought up to the full 16-bit width and the interface can run up to 5.2GT/s in HyperTransport 3 mode. In HyperTransport 1 mode, the interface operates by clock-forwarding while in HyperTransport 3 mode, the interface operates by dynamic phase recovery, with frequency information propagated over the clock pins. The interface is illustrated below in [Figure 2-3, “SR5670 HyperTransport™ Interface Signals.”](#) The signal name and direction for each signal is shown with respect to the SR5670. Detailed descriptions of the signals are given in [Section 3.3, “CPU HyperTransport™ Interface,” on page 3-4.](#)

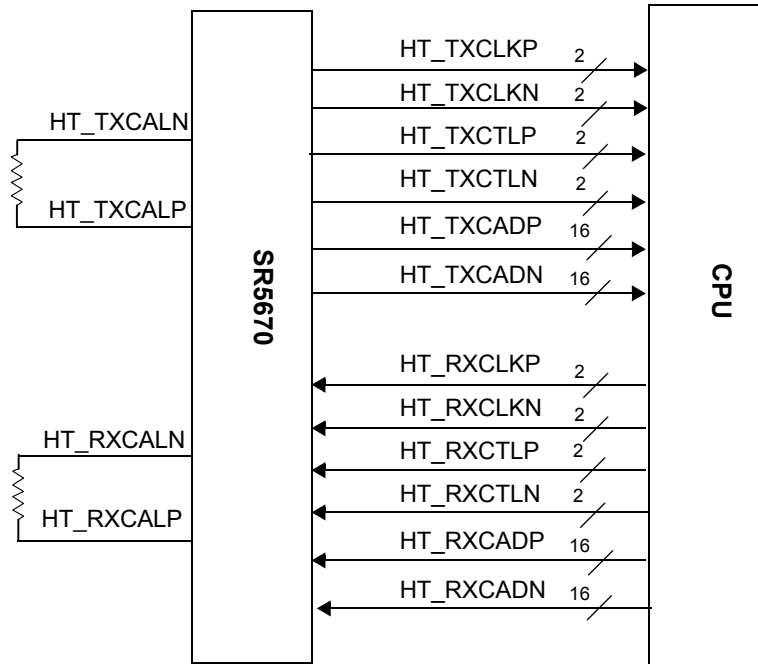


Figure 2-3 SR5670 HyperTransport™ Interface Signals

The SR5670 HyperTransport interface has the following features:

- HyperTransport 3.0 compliant
- 16-bit and 8-bit link widths supported. Width for each direction of the link is independently controlled.
- 400MT/s to 5.2GT/s link speeds in increments of 400MT/s (up to 2GT/s only for HyperTransport 1 mode)
- DC-coupled HyperTransport mode only
- UnitID clumping for x16 PCI Express® ports
- Isochronous flow-control mode for Southbridge audio and IOMMU traffic
- 64-bit address extension support (52-bit physical addressing)
- Link disconnection with tristate, LS1, and LS2 low-power modes
- Error retry in HyperTransport 3 mode
- Full HyperTransport-defined BIST support for both internal and external loopback modes

2.1.2 HyperTransport™ Flow Control Buffers

The SR5670 HTIU implements the following flow control buffers in its receiver:

Table 2-1 SR5670 HyperTransport™ Flow Control Buffers

Flow Control Buffer Type	Posted	Non-Posted	Response
Cmd	16	16	Advertise 63 credits.
Data	16	1	Advertise 63 credits.
ISOC Cmd	0	0	Advertise 63 credits.
ISOC Data	0	0	Advertise 63 credits.

2.2 IOMMU

The SR5670's IOMMU (Input/Output Memory Management Unit) block provides address translation and protection services as described in version 1.26 of the *AMD I/O Virtualization Technology (IOMMU) Specification*. The SR5670 also supports the *PCI Express Address Translation Services 1.0 Specification*, which allows the supporting of endpoint devices to request and cache address translations.

When DMA requests containing virtual addresses are received, the IOMMU looks up the page translation tables located in the system memory in order to convert the virtual addresses into physical addresses and to verify access privileges. On-chip caching is provided in order to speed up translation and reduce or eliminate the number of system memory accesses required. Every PCIe core contains a local translation cache, and the SR5670 also contains a shared global translation cache.

The SR5670 supports up to 2^{16} domains, each of which can utilize a separate 64-bit virtual address space. It supports a 52-bit physical address space.

2.3 Multiple Northbridge Support

Multiple SR5690/5670/5650 (referred to as "SR56x0" below) Northbridges may be implemented in the same system given enough free HyperTransport links from the processor complex. However, only a single Southbridge may be used. The SR56x0 attached to the Southbridge is called the primary SR56x0, and any other instance of SR56x0 is called a secondary SR56x0. The A-Link Express interface on any secondary SR56x0 must be left unconnected, and it cannot be used to support any PCI Express endpoint devices.

The PWM_GPIO5 pin-strap is used to indicate whether an SR56x0 is a primary or a secondary Northbridge. If no pull-down resistor is attached on the pin, the internal pull-up resistor on it will set the strap value to "1," indicating the device to be a primary Northbridge. On any secondary SR56x0, the PWM_GPIO5 pin-strap must be pulled low.

In the multi-NB mode, special PCI Express messages for functions such as PME may be passed from a secondary SR56x0 to the primary SR56x0 or the Southbridge over the HyperTransport bus. If the SR56x0's internal IOAPIC is not used, INTx messages may also be forwarded over the HyperTransport bus to the Southbridge IOAPIC. Peer-to-peer writes between PCI Express endpoints are also allowed between any SR56x0 and another by routing peer-to-peer requests over the HyperTransport bus.

Note: As it is possible to mix-and-match SR5650, SR5670, and SR5690 on the same system, whenever a multiple-SR5670 configuration is being referred to in this document, it actually represents any combination of SR5650, SR5670, and SR5690 possible under that situation. Some constraints may apply.

2.4 Interrupt Handling

2.4.1 Legacy INTx Handling

In legacy interrupt mode, all INTx messages must be routed to the Southbridge IOAPIC. The primary NB directs all INTx messages directly down to the Southbridge IOAPIC. Secondary NBs direct INTx messages up to the processor complex, where they are broadcast down to all HT devices. See [Section 2.3, "Multiple Northbridge Support," on page 2-4](#) for details.

The 4 legacy interrupts sent by endpoint devices (INT A/B/C/D) may undergo a 2-stage programmable swizzling process that maps them onto the 8 possible internal INTx messages (INT A/B/C/D/E/F/G/H). The first swizzling stage is performed by rotating the interrupt message number based upon the bridge device number. The second stage is register controllable on a per-bridge basis and maps the rotated INT A/B/C/D onto INT E/F/G/H. INT A to H messages sent to the Southbridge are mapped onto the SB IOAPIC interrupt redirection table entries 16 to 23.

2.4.2 Non-SB IOAPIC Support

The SR5670 supports routing legacy IOAPIC memory-mapped I/O addresses (0xFECx_xxxx) to any PCI Express port to support endpoint devices with integrated IOAPIC.

2.4.3 Integrated IOAPIC Support

The SR5670 supports routing local INTx messages to its integrated IOAPIC. The integrated IOAPIC contains a 32-entry redirection table. INTx messages from endpoint devices, bridges, HTIU, and IOMMU can be mapped onto different redirection entries under register control.

2.4.4 MSI Interrupt Handling and MSI to HT Interrupt Conversion

In MSI interrupt mode, all interrupts are sent directly from the endpoint devices through the SR5670 up to the processor complex. All MSI interrupts are converted into HT-formatted interrupts. For MSIs from PCI Express endpoint devices and internally generated PCI Express interrupts, the conversion occurs in the associated IOMMU L1 block. For IOMMU interrupts and, optionally, HT error interrupts and internal parity error interrupts, the conversion occurs in the HTIU block. HT error interrupts and internal parity error interrupts may be optionally redirected to an MSI generation block underneath the SB VC1 IOMMU L1 so that they can be remapped by IOMMU. IOMMU internal MSI interrupts are never remapped.

The PCI configuration spaces of each on-board device contains a fixed HT MSI mapping capability (except for Device 1, which is unused). This implies that all MSI interrupts with address 0xFEEEx_xxxx have to be converted to HT interrupts. Because of this, software is required to program all MSI address registers with an 0xFEEEx_xxxx address.

2.4.5 Internally Generated Interrupts

The SR5670 may internally generate interrupts for the following purposes:

- PCI Express error
- PCI Express PME
- HT error
- Internal parity error
- IOMMU command handler
- IOMMU event logger

Internally generated interrupts may be in either legacy INTx or MSI format. Internal MSI interrupt sources do not support per-vector masking.

2.4.6 IOMMU Interrupt Remapping

When the IOMMU is enabled, interrupts generated downstream of the IOMMU are remapped based upon the IOMMU tables. The following classes of interrupts are not remapped by the IOMMU because they are generated upstream of the IOMMU:

- HT error (optional)
- Internal parity error (optional)
- IOMMU command handler and event logger

2.4.7 Interrupt Routing Architecture

2.4.7.1 Legacy Mode

Primary SR5670: Legacy INTx messages are routed directly to the SB IOAPIC. The SB IOAPIC generates upstream interrupt requests, which are translated by the IOMMU before they are delivered up to the processor complex.

Secondary SR5670: Legacy INTx messages are routed over HyperTransport through the processor complex to the primary SR5670, which forwards them to the SB IOAPIC. The SB IOAPIC generates upstream interrupt requests, which are translated by the IOMMU before being delivered up to the processor complex.

The routing paths are illustrated in [Figure 2-4](#) below.

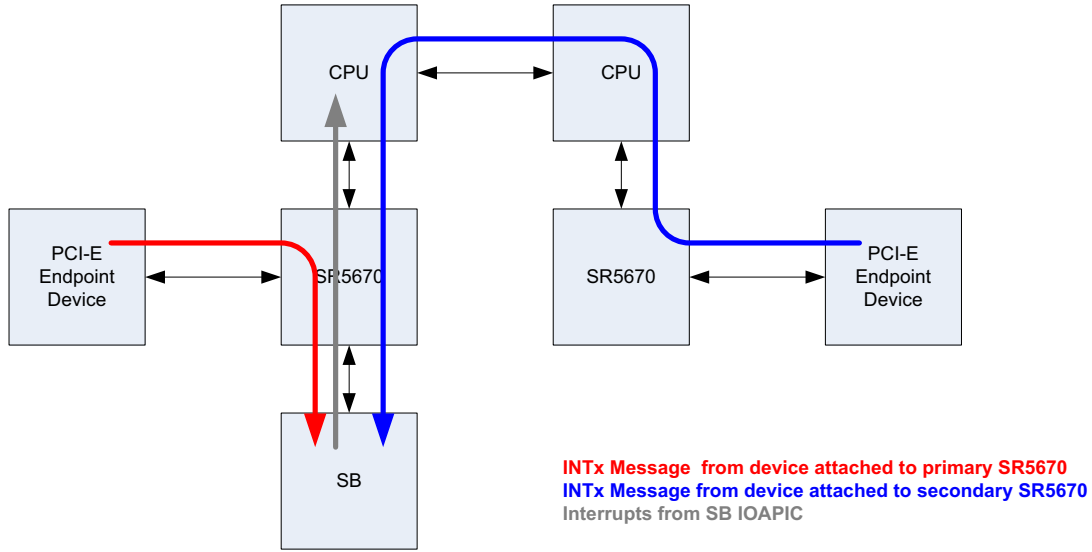


Figure 2-4 Interrupt Routing Paths in Legacy Mode

2.4.7.2 Legacy Mode with Integrated IOAPIC

For both the primary and secondary SR5670s, legacy INTx messages are routed to the integrated IOAPICs of the SR5670s, which generates interrupt requests. These requests are remapped by the IOMMU before being delivered up to the processor complex. If an INTx message gets directed to an IOAPIC table entry that is not enabled, the IOAPIC sends the INTx message back to the IOC to go to the SB PIC/IOAPIC.

The routing paths are illustrated in *Figure 2-5* below.

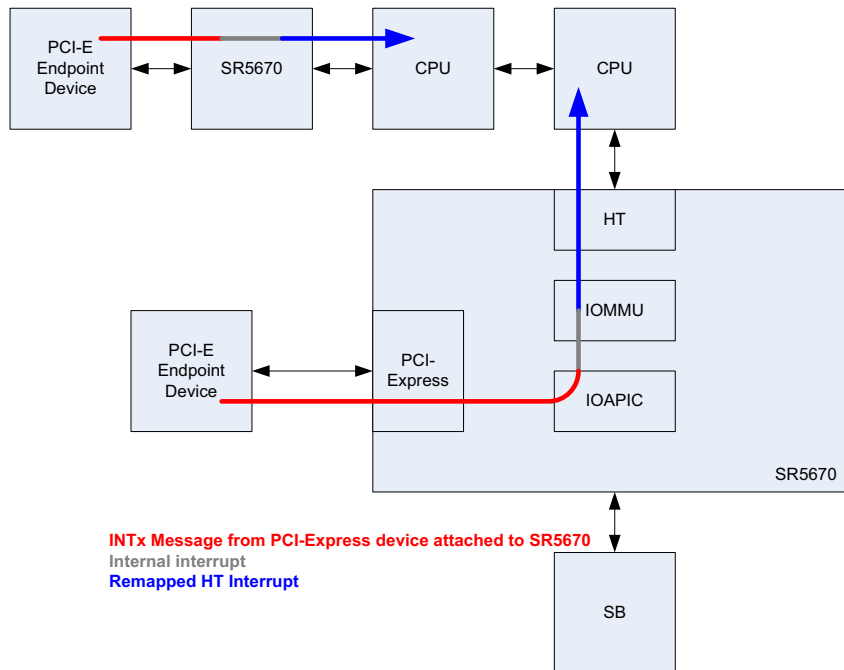


Figure 2-5 Interrupt Routing Paths in Legacy Mode with Integrated IOAPIC

2.4.7.3 MSI Mode

For both the primary and secondary SR5670s: MSI interrupt requests are remapped by the IOMMU and sent up to the processor complex. The routing path is illustrated in *Figure 2-6* below.

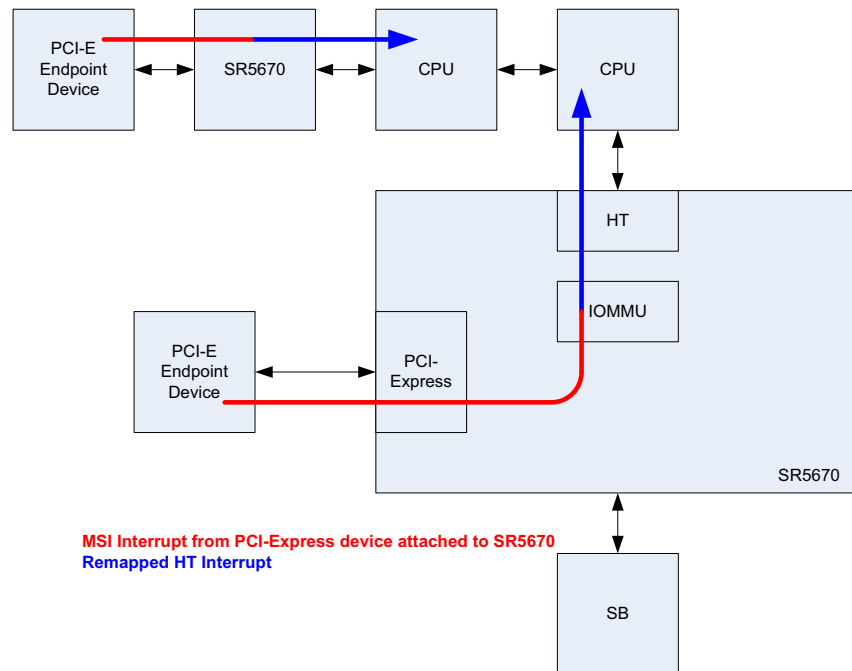


Figure 2-6 Interrupt Routing Path in MSI Mode

2.5 RAS Features

2.5.1 Parity Protection

All memories in SR5670 are parity protected to reduce the possibility of silent data corruption. Multiple parity words are interleaved to convert burst errors (multiple physically adjacent bits corrupted) into multiple single-bit detectable errors to increase robustness. The minimum number of interleaved parity words in any on-board memory is 4. All macros contain test circuitry for software to generate false errors on either the read or write side of the memory for verification of error handling routines. Error injection circuitry only corrupts parity bits rather than real data bits to avoid data corruption.

2.5.1.1 Parity Protection for IOMMU Cache Memories

All IOMMU cache memories are parity protected. When a parity error is detected, the access from the associated bank is marked as an automatic miss. The cache line is marked as invalid and may later be overwritten with data from system memory (which is ECC protected). The error is logged in a status bit and an optional interrupt is generated (either fatal, non-fatal, or correctable parity error).

2.5.1.2 Parity Protection for Normal Memories

All normal memories are also parity protected. When a parity error is detected, the failure is likely to be fatal as there is no automatic recovery mechanism and no way for hardware to tag a specific request or operation with the error. The error is logged in a status bit for later diagnosis and an optional interrupt is generated (either fatal or non-fatal parity error).

2.5.2 SERR_FATAL# and NON_FATAL_CORR# Pins

The SR5670 implements a dedicated pin, DBG_GPIO0/SERR_FATAL#, to signal either a system or a fatal error, which can be used to signal a BMC for further actions. SERR_FATAL# may be asserted on various error conditions like HT syncflood, as well as internal parity errors or fatal errors for which signalling by SERR_FATAL# is enabled. Fatal errors are identified via the fatal error status bits.

Non-fatal or correctable errors may be likewise signalled via DBG_GPIO3/NON_FATAL_CORR#.

The SERR_FATAL# and NON_FATAL_CORR# pin functionalities are disabled on warm reset.

2.5.3 NMI# and SYNCFLOODIN#

The SR5670 may configure the DFT_GPIO0/NMI# pin as an input pin for triggering an upstream NMI packet to the processor complex. The pin should be driven by a BMC. An internal sticky status bit records the use of the NMI# pin.

Also, the SR5670 may configure the DFT_GPIO5/SYCNCFLOODIN# pin as an input pin for triggering a HyperTransport syncflood event. The pin should be driven by a BMC. An internal sticky status bit records the use of the SYNCFLOODIN# pin.

2.5.4 Suggested Platform Level RAS Sideband Signal Connections

[Figure 2-7](#) is a logical diagram showing suggestions for RAS sideband signal connections at the platform level .

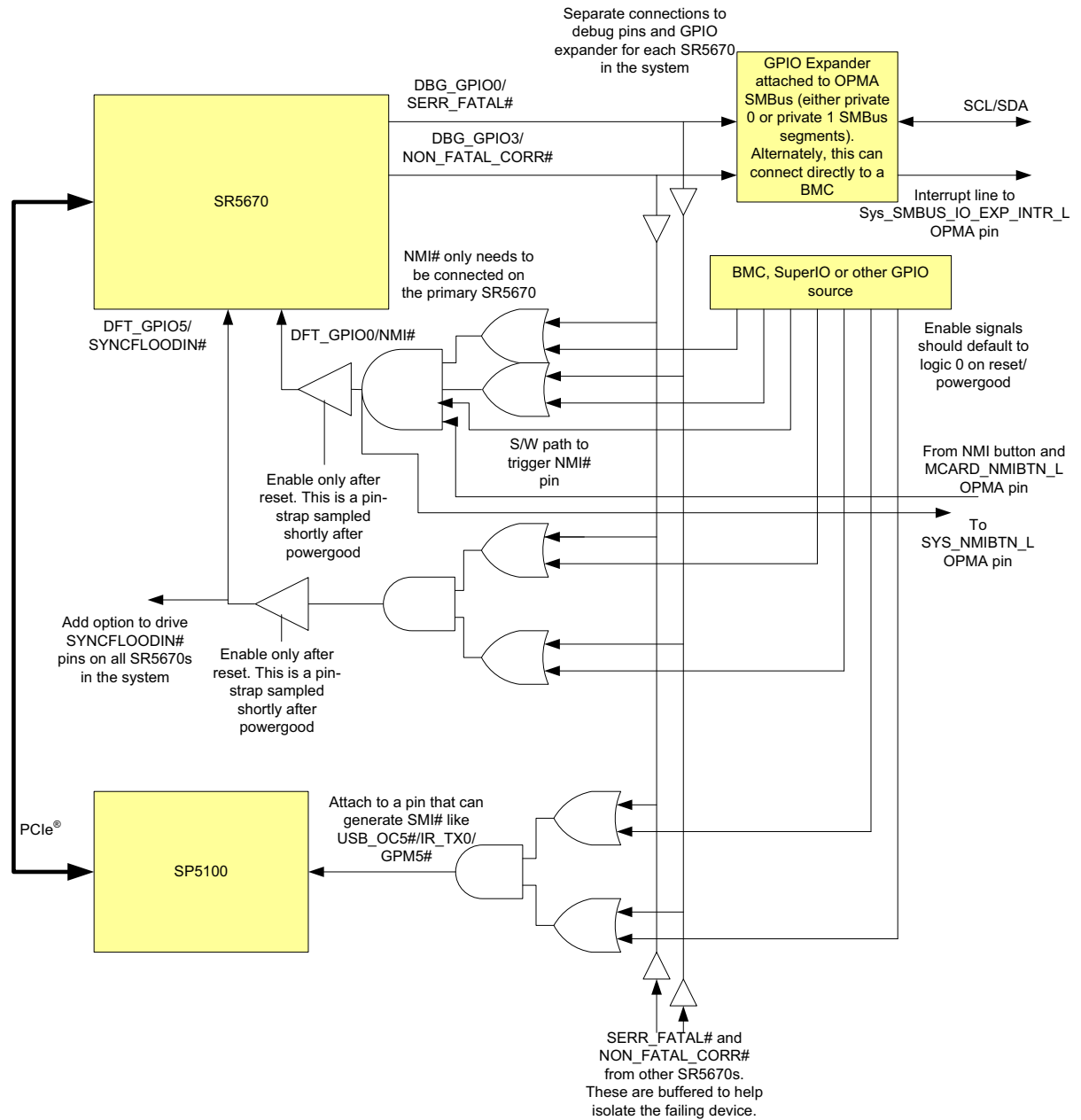


Figure 2-7 Suggested Platform Level RAS Sideband Signal Connections

2.5.5 Error Reporting and Logging

2.5.5.1 PCI Error Logging

The SR5670 implements all PCI standard error logging bits for all on-board devices and functions including the host bridge device, IOMMU, and PCI Express bridges.

2.5.5.2 PCIe® Advanced Error Reporting

The SR5670 PCIe® cores implement the optional Advanced Error Reporting (AER) feature mechanism in the *PCI Express 2.0 Base Specification*. Errors are logged for received packet errors such as poisoned data, malformed TLP, and etc. within the PCIe core and are accessible via the bridge configuration spaces.

The ACS violations for ACS Source Validation and ACS Translation Blocking are recorded in the AER error log. Errors due to IOMMU translation failures are not logged as ACS violations, but are logged as UR or CA depending on the error type.

IOC may abort a non-posted request with UR status if it determines that the request will not hit system memory. Such errors are pushed back into the PCIe core for logging. The IOC must abort potential peer-to-peer non-posted requests to avoid a deadlock condition. For posted requests, the IOC can be configured to forward all non-decoded (non system memory and non-peer-to-peer) posted requests up to the processor, which may abort the request and generate an MCA error log.

For downstream completions with abort status coming back from the processor, error status is propagated to the endpoint but no AER header information is logged in the chipset.

For upstream completions, error status is propagated up to the processor and AER information may be logged.

[Table 2-2](#) lists the types of errors that are detectable by the SR5670 AER implementation. For details, see the *PCI Express 2.0 Base Specification*.

Table 2-2 Types of Errors Detectable by the SR5670 AER Implementation

Error Type	Error Class
ACS Violation	Uncorrectable – Fatal or Non-fatal
Unsupported Request	Uncorrectable – Fatal or Non-fatal
Malformed TLP	Uncorrectable – Fatal or Non-fatal
Unexpected Completion	Uncorrectable – Fatal or Non-fatal
Completer Abort	Uncorrectable – Fatal or Non-fatal
Completion Timeout	Uncorrectable – Fatal or Non-fatal
Poisoned TLP Received	Uncorrectable – Fatal or Non-fatal
Data Link Layer Protocol Error	Uncorrectable – Fatal or Non-fatal
ECRC Error	Uncorrectable – Fatal or Non-fatal
Replay Timeout	Correctable
REPLAY_NUM Rollover	Correctable
Bad DLLP	Correctable
Bad TLP	Correctable

The following error classes are NOT supported:

- Receiver Overflow Error
- Flow Control Error
- Surprise Down Error
- Receiver Error

2.5.5.3 IOMMU Error Reporting

The IOMMU specification defines a standard error logging facility that logs error events in system memory with register status bits or interrupt notification to system software. The SR5670 fully supports the generation of logging events following this standard.

2.5.5.4 HyperTransport™ Error Reporting

The HyperTransport specification defines various levels of error handling for link-related errors. The SR5670 supports the detection of most error classes including protocol error, overflow error, and response error. The SR5670 also supports notification of error conditions via fatal interrupts, non-fatal interrupts, or synflood.

[Table 2-3](#) lists the types of errors supported by the error handling capabilities of the SR5670 for HyperTransport.

Table 2-3 Types of HyperTransport™ Errors Supported by the SR5670

Error Type	Description
Response Error	Received incorrect response type such as tgtdone for read request, read response for flush, or size of received data did not match size of requested data.
Overflow Error	Flow-control buffer overflow in the receiver. This is only mapped to a fatal or non-fatal error in HT1 mode. In HT3 mode, this maps onto a retry in the hope that when the packet is subsequently received, there is space in the FCB. No interrupt will be generated in HT3 mode.
CRC Error	Periodic CRC error
Retry Error	Per-packet CRC error received
Retry Count Rollover	Per-packet CRC error counter overflowed. Non-fatal interrupt only.
Protocol Error	<p>Protocol conditions detected in HT1 mode:</p> <ul style="list-style-type: none"> • Data count not matching header • Invalid command encoding • Invalid CTL encoding • Incomplete header • Unexpected data <p>Protocol conditions detected in HT3 mode</p> <ul style="list-style-type: none"> • Data count not matching header • Invalid command encoding • Invalid CTL encoding • Incomplete header • Unexpected data • Unexpected CRC • Missing CRC • Non-NOP inserted command • Inserted command without inserted command CTL encoding

End of chain error is not supported, since the end of the chain is on PCI Express instead HyperTransport.

2.5.5.5 Internal Parity Error Reporting

One register bit per memory macro is used to log parity errors. Values for those bits are persistent across a warm reset for diagnostic purposes.

2.5.6 Interrupt Generation on Errors

Internal interrupts may be generated on the following error conditions:

- PCI Express errors (fatal, non-fatal, or correctable)
- HT errors (fatal or non-fatal)
- IOMMU events
- Internal parity error (fatal or non-fatal)
- Internal parity error in the IOMMU cache (fatal, non-fatal, or correctable)

2.5.7 Poisoned Data Support

The SR5670 supports the propagation of poisoned data attributes (EP in PCIe and Data Error in HT) between PCI Express endpoints and the processor for both host and DMA requests or responses. The SR5670 cannot actively mark a transaction with a poisoned data attribute even if the transaction encounters an internal parity error. Received packets containing ECRC errors are not marked as poisoned.

2.5.8 PCIe® Link Disable State

The SR5670 has the ability to put PCIe links into the disabled state as an error response in order to help stop data movement within the system. Links which received fatal errors may be disabled. Also, a HyperTransport syncflood event may be used to trigger all links to enter the disabled state.

2.5.9 HT Syncflood Based on PCIe® Error

The SR5670 has the ability to put the HyperTransport link into the syncflood state when a fatal or non-fatal error is received on the PCIe interface. This is done in order to help stop data movement within the system.

2.6 PCI Express®

2.6.1 PCIe® Ports

In total, there are 10 PCIe® ports on the SR5670, divided into 4 groups and implemented in hardware as 4 separate cores:

- PCIe-GPP1: 2 general purpose ports, 16 lanes in total. Width of each port is x8. In the default configuration, the 2 ports are combined to provide a 1 x16 port.
- PCIe-GPP2: 1 general purpose port, 8 lanes in total.
- PCIe-GPP3: 6 general purpose ports, with 6 lanes in total. They support 6 different configurations with respect to link widths: 4:2, 4:1:1, 2:2:2, 2:2:1:1, 2:1:1:1:1, and 1:1:1:1:1:1 (default configuration). For details on the possible configurations for the GPP3 lanes, see [Table 2-4](#) below and [Table 3-11](#), “Strap Definition for STRAP_PCIE_GPP_CFG,” on page 3-10.

Table 2-4 Possible Configurations for the PCI Express® General Purpose Links

PCIe Core	Physical Lane	Config. B	Config. C	Config. C2	Config. E	Config. K	Config. L
GPP3	GPP3 lane 0	x4	x4	x2	x2	x2	x1
	GPP3 lane 1						x1
	GPP3 lane 2			x2	x1	x2	x1
	GPP3 lane 3						x1
	GPP3 lane 4	x2	x1	x2	x1	x1	x1
	GPP3 lane 5						x1

- PCIe-SB: The Southbridge port provides a dedicated x4 link to the Southbridge (also referred to as the “A-Link Express II interface”).

Each port supports the following PCIe functions:

- PCIe Gen 1 link speeds
- ASPM L0s and L1 states
- ACPI power management
- Endpoint and root complex initiated dynamic link degradation
- Lane reversal
- Alternative Routing-ID Interpretation (ARI)
- Access Control Services (ACS)
- Advanced Error Reporting (AER)
- Address Translation Services (ATS)

2.6.2 PCIe® Reset Signals

Reset signals to PCIe slots, as well as embedded PCIe devices, must be controlled through one or more software-controllable GPIO pins instead of the global system reset. It is recommended that unique GPIO pins be used for each slot or device. The SR5670 has four GPIO pins that may be used for the purpose of driving reset signals (PCIE_GPIO_RESET[5:4] and PCIE_GPIO_RESET[2:1]). Additional reset GPIO pins may be driven by platform-specific means such as a super I/O or an I/O expander.

2.7 External Clock Chip

On the SR5670 platform, an external clock chip provides the CPU, PCI Express, and A-Link Express II reference clocks. For requirements on the clock chip, please refer to the *800-Series IGP Express AMD Platform External Clock Generator Requirements Specification for Server Platforms*.

This page is left blank intentionally.

Chapter 3

Pin Descriptions and Strap Options

This chapter gives the pin descriptions and the strap options for the SR5670. To jump to a topic of interest, use the following list of hyperlinked cross references:

[“Pin Assignment Top View” on page 3-2](#)

[“SR5670 Interface Block Diagram” on page 3-4](#)

[“CPU HyperTransport™ Interface” on page 3-4](#)

[“PCI Express® Interfaces” on page 3-5:](#)

[“PCI Express® Interface for General Purpose External Devices” on page 3-5](#)

[“A-Link Express II Interface to Southbridge” on page 3-5](#)

[“Miscellaneous PCI Express® Signals” on page 3-6](#)

[“Clock Interface” on page 3-6](#)

[“Power Management Pins” on page 3-6](#)

[“Miscellaneous Pins” on page 3-7](#)


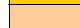
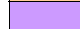











[“Power Pins” on page 3-8](#)

[“Ground Pins” on page 3-9](#)

[“Strapping Options” on page 3-10](#)

3.1 Pin Assignment Top View

	1	2	3	4	5	6	7	8	9	10	11	12	13	14
A			VDDPCIE	GPP1_TX6P	VSS	GPP1_TX5P	VSS	GPP1_TX3P	VSS	GPP1_TX1P	VSS	VDDA18PCIE	VDDA18PCIE	VSS
B		VDDPCIE	VSS	GPP1_TX6N	GPP1_RX6P	GPP1_TX5N	GPP1_TX4P	GPP1_TX3N	GPP1_TX2P	GPP1_TX1N	GPP1_TX0P	VDDA18PCIE	VDDA18PCIE	VSS
C	VDDPCIE	VSS	VDDPCIE	VSS	GPP1_RX6N	VSS	GPP1_TX4N	VSS	GPP1_TX2N	VSS	GPP1_TX0N	VDDA18PCIE	VDDA18PCIE	VSS
D	GPP1_RX7N	GPP1_RX7P	VSS	VDDPCIE	VSS	GPP1_RX5P	VSS	GPP1_RX3P	VSS	GPP1_RX1P	VSS	VDDA18PCIE	VDDA18PCIE	VSS
E	VSS	GPP1_TX7N	GPP1_TX7P	VSS	VDDPCIE	GPP1_RX5N	GPP1_RX4P	GPP1_RX3N	GPP1_RX2P	GPP1_RX1N	GPP1_RX0P	VDDA18PCIE	VDDA18PCIE	PCE_TCALRN
F	GPP1_TX8N	GPP1_TX8P	VSS	GPP1_RX8N	GPP1_RX8P	VDDPCIE	GPP1_RX4N	VSS	GPP1_RX2N	VSS	GPP1_RX0N	VDDA18PCIE	VDDA18PCIE	PCE_TCALRP
G	VSS	GPP1_TX9N	GPP1_TX9P	VSS	GPP1_RX9N	GPP1_RX9P	VDDPCIE	VDDPCIE	VSS	VDDPCIE	VSS	VDDA18PCIE	VDDA18PCIE	VDDA18PCIE
H	GPP1_TX10N	GPP1_TX10P	VSS	GPP1_RX10N	GPP1_RX10P	VSS	VDDPCIE	GPP1_REFCLKN	VDDPCIE	VSS	VDDPCIE	VDDA18PCIE	VDDA18PCIE	VDDA18PCIE
J	VSS	GPP1_TX11N	GPP1_TX11P	VSS	GPP1_RX11N	GPP1_RX11P	VSS	GPP1_REFCLKP						
K	GPP1_TX12N	GPP1_TX12P	VSS	GPP1_RX12N	GPP1_RX12P	VSS	VDDPCIE	VSS						
L	VSS	GPP1_TX13N	GPP1_TX13P	VSS	GPP1_RX13N	GPP1_RX13P	VSS	VDDPCIE			VDDA18PCIE	VSS	VSS	VDDC
M	GPP1_TX14N	GPP1_TX14P	VSS	GPP1_RX14N	GPP1_RX14P	VSS	VDDPCIE	VSS			VSS	VSS	VDDC	VSS
N	VSS	GPP1_TX15N	GPP1_TX15P	VSS	GPP1_RX15N	GPP1_RX15P	VSS	VDDPCIE			VSS	VDDC	VSS	VDDC
P	GPP2_TX0N	GPP2_TX0P	VSS	GPP2_RX0N	GPP2_RX0P	VSS	VDDPCIE	VSS			VSS	VSS	VDDC	VSS
R	VSS	GPP2_TX1N	GPP2_TX1P	VSS	GPP2_RX1N	GPP2_RX1P	VSS	VDDPCIE			VSS	VDDC	VSS	VDDC
T	GPP2_TX2N	GPP2_TX2P	VSS	GPP2_RX2N	GPP2_RX2P	VSS	VDDPCIE	VSS			VSS	VSS	VDDC	VSS
U	VSS	GPP2_TX3N	GPP2_TX3P	VSS	GPP2_RX3N	GPP2_RX3P	VSS	GPP2_REFCLKN			VSS	VSS	VSS	VDDC
V	GPP2_TX4N	GPP2_TX4P	VSS	GPP2_RX4N	GPP2_RX4P	VSS	VDDPCIE	GPP2_REFCLKP			VDDA18PCIE	VSS	VSS	VSS
W	VSS	GPP2_TX5N	GPP2_TX5P	VSS	GPP2_RX5N	GPP2_RX5P	VSS	VDDPCIE						
Y	GPP2_TX6N	GPP2_TX6P	VSS	GPP2_RX6N	GPP2_RX6P	VSS	VDDPCIE	VSS						
AA	VSS	GPP2_TX7N	GPP2_TX7P	VSS	GPP2_RX7N	GPP2_RX7P	VSS	VDDPCIE	VSS	VDDPCIE	VSS	VDDPCIE	VSS	GPP3_REFCLKN
AB	NC	NC	VSS	NC	NC	VSS	VDDPCIE	VSS	VDDPCIE	VSS	VDDPCIE	VSS	VDDPCIE	VSS
AC	VSS	NC	NC	VSS	VSS	VDDPCIE	NC	VSS	NC	VSS	NC	VSS	NC	VSS
AD	NC	NC	VSS	VSS	VDDPCIE	NC	NC	NC	NC	PCE_RCALRN	NC	NC	NC	NC
AE	VSS	NC	NC	VDDPCIE	VSS	NC	VSS	NC	VSS	PCE_RCALRP	VSS	NC	VSS	NC
AF	NC	NC	VDDPCIE	VSS	NC	VSS	NC	VSS	NC	VSS	NC	VSS	NC	VSS
AG		VDDPCIE	VSS	NC	NC	NC	NC	NC	NC	NC	NC	NC	NC	GPP3_TX5N
AH			VSS	NC	VSS	NC	VSS	NC	VSS	NC	VSS	NC	VSS	GPP3_TX5P
	1	2	3	4	5	6	7	8	9	10	11	12	13	14

	CPU Interface
	A-Link Express II Interface
	Clock Interface
	PCIe® GPP1 General Purpose Interface
	PCIe GPP2 General Purpose Interface
	PCIe GPP3 General Purpose Interface
	Power Management Interface
	Core Power
	PCIe Main I/O Power
	PCIe 1.8V I/O Power and PLL Power
	GPIO 1.8V I/O Power
	HyperTransport™ Interface Power
	Grounds
	Other

15	16	17	18	19	20	21	22	23	24	25	26	27	28	
PWM_GPIO4	VSS	POWERGOOD	VDD18	TESTMODE	VSS	DBG_GPIO0/ NON_FATAL_CO RR#	VSS	DFT_GPIO5/ SYNCFLOODIN #	VSS	DFT_GPIO1	VSS			A
PWM_GPIO2	PWM_GPIO6	OSCIN	VDD18	PCIE_RESET_ GPIO1	I2C_CLK	DBG_GPIO2	DBG_GPIO1	DFT_GPIO4	DFT_GPIO2	DFT_GPIO3	DFT_GPIO0/ NMI#	VSS		B
VSS	PWM_GPIO5	VSS	VDD18	VSS	I2C_DATA	VSS	DBG_GPIO0/S ERR_FATAL#	VSS	VDDHTTX	VDDHTTX	VDDHTTX	VDDHTTX	VDDHTTX	C
SYSRESET#	VSS	PCIE_RESET_ GPIO2	VDD18	PCIE_RESET_ GPIO3	VSS	ALLOW_LDT5 TOP	VDDHTTX	VDDHTTX	HT_RXCALN	HT_RXCALP	VSS	HT_TXCALN	HT_TXCALP	D
LDTSTOP#	PWM_GPIO1	PCIE_RESET_ GPIO5	VDD18	PCIE_RESET_ GPIO4	VSS	STRP_DATA	VDDHTTX	HT_TXCAD8P	HT_TXCAD8N	VSS	HT_TXCAD0P	HT_TXCAD0N	VSS	E
VSS	PWM_GPIO3	VSS	VSS	VSS	VSS	VSS	VDDHTTX	VSS	HT_TXCAD9P	HT_TXCAD9N	VSS	HT_TXCAD1P	HT_TXCAD1N	F
VSS	VSS	VSS	VSS	VSS	VSS	VDDA18HTPL L	VDDHTTX	HT_TXCAD10 P	HT_TXCAD10 N	VSS	HT_TXCAD2P	HT_TXCAD2N	VSS	G
VSS	VSS	VSS	VSS	VSS	VSS	VSS	VDDHTTX	VSS	HT_TXCAD11 P	HT_TXCAD11 N	VSS	HT_TXCAD3P	HT_TXCAD3N	H
						HT_REFCLKN	VSS	HT_TXCLK1P	HT_TXCLK1N	VSS	HT_TXCLK0P	HT_TXCLK0N	VSS	J
						HT_REFCLKP	VDDHT	VSS	HT_TXCAD12 P	HT_TXCAD12 N	VSS	HT_TXCAD4P	HT_TXCAD4N	K
VSS	VDDC	VSS	VSS			VDDHT	VSS	HT_TXCAD13 P	HT_TXCAD13 N	VSS	HT_TXCAD5P	HT_TXCAD5N	VSS	L
VDDC	VSS	VSS	VSS			VSS	VDDHT	VSS	HT_TXCAD14 P	HT_TXCAD14 N	VSS	HT_TXCAD6P	HT_TXCAD6N	M
VSS	VDDC	VSS	VSS			VDDHT	VSS	HT_TXCAD15 P	HT_TXCAD15 N	VSS	HT_TXCAD7P	HT_TXCAD7N	VSS	N
VDDC	VSS	VDDC	VSS			VSS	VDDHT	VSS	HT_TXCTL1P	HT_TXCTL1N	VSS	HT_TXCTL0P	HT_TXCTL0N	P
VSS	VDDC	VSS	VSS			VDDHT	VSS	HT_RXCTL1N	HT_RXCTL1P	VSS	HT_RXCTL0N	HT_RXCTL0P	VSS	R
VDDC	VSS	VDDC	VSS			VSS	VDDHT	VSS	HT_RXCAD15 N	HT_RXCAD15 P	VSS	HT_RXCAD7N	HT_RXCAD7P	T
VSS	VDDC	VSS	VSS			VDDHT	VSS	HT_RXCAD14 N	HT_RXCAD14 P	VSS	HT_RXCAD6N	HT_RXCAD6P	VSS	U
VSS	VSS	VSS	VDDA18PCIE			VSS	VDDHT	VSS	HT_RXCAD13 N	HT_RXCAD13 P	VSS	HT_RXCAD5N	HT_RXCAD5P	V
						VDDHT	VSS	HT_RXCAD12 N	HT_RXCAD12 P	VSS	HT_RXCAD4N	HT_RXCAD4P	VSS	W
						THERMALDIO DE_P	VDDHT	VSS	HT_RXCLK1N	HT_RXCLK1P	VSS	HT_RXCLK0N	HT_RXCLK0P	Y
GPP3_REFCLKP	VDDPCIE	VSS	VDDPCIE	VSS	VSS	THERMALDIO DE_N	VDDHT	HT_RXCAD11 N	HT_RXCAD11 P	VSS	HT_RXCAD3N	HT_RXCAD3P	VSS	AA
VDDPCIE	VSS	VDDPCIE	VSS	VDDPCIE	VSS	VSS	VDDHT	VSS	HT_RXCAD10 N	HT_RXCAD10 P	VSS	HT_RXCAD2N	HT_RXCAD2P	AB
GPP3_RX5N	VSS	GPP3_RX3N	VSS	GPP3_RX1N	VSS	SB_RX3P	VDDHT	HT_RXCAD9N	HT_RXCAD9P	VSS	HT_RXCAD1N	HT_RXCAD1P	VSS	AC
GPP3_RX5P	GPP3_RX4N	GPP3_RX3P	GPP3_RX2N	GPP3_RX1P	PCE_BCALRN	SB_RX3N	SB_RX2P	VDDHT	HT_RXCAD8N	HT_RXCAD8P	VSS	HT_RXCAD0N	HT_RXCAD0P	AD
VSS	GPP3_RX4P	VSS	GPP3_RX2P	VSS	PCE_BCALRP	VSS	SB_RX2N	VSS	VDDHT	VDDHT	VDDHT	VDDHT	VDDHT	AE
GPP3_TX4N	VSS	GPP3_TX2N	VSS	GPP3_TX0N	VSS	SB_TX2P	VSS	SB_TX1P	VSS	SB_RX1P	VSS	VDDHT	VSS	AF
GPP3_TX4P	GPP3_TX3N	GPP3_TX2P	GPP3_TX1N	GPP3_TX0P	GPP3_RX0N	SB_TX2N	SB_TX3P	SB_TX1N	SB_TX0P	SB_RX1N	SB_RX0P	VSS		AG
VSS	GPP3_TX3P	VSS	GPP3_TX1P	VSS	GPP3_RX0P	VSS	SB_TX3N	VSS	SB_TX0N	VSS	SB_RX0N			AH
15	16	17	18	19	20	21	22	23	24	25	26	27	28	

	CPU Interface
	A-Link Express II Interface
	Clock Interface
	PCIe GPP1 General Purpose Interface
	PCIe GPP2 General Purpose Interface
	PCIe GPP3 General Purpose Interface
	Power Management Interface
	Core Power
	PCIe Main I/O Power
	PCIe 1.8V I/O Power and PLL Power
	GPIO 1.8V I/O Power
	HyperTransport Interface Power
	Grounds
	Other

3.2 SR5670 Interface Block Diagram

Figure 3-1 shows the different interfaces on the SR5670. Interface names in blue are hyperlinks to the corresponding sections in this chapter.

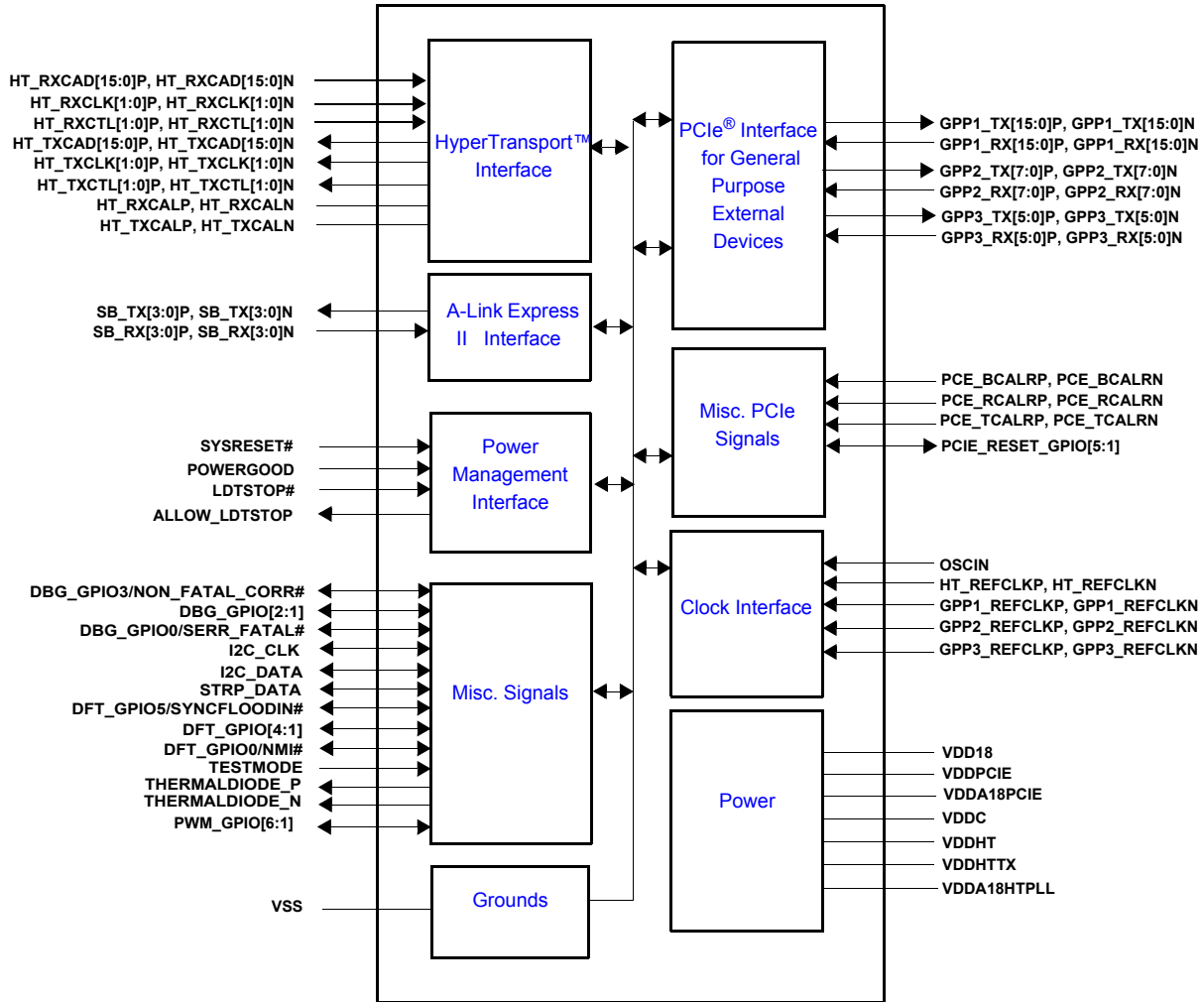


Figure 3-1 SR5670 Interface Block Diagram

3.3 CPU HyperTransport™ Interface

Table 3-1 HyperTransport™ Interface

Pin Name	Type	Power Domain	Ground Domain	Functional Description
HT_RXCAD[15:0]P, HT_RXCAD[15:0]N	I	VDDHT	VSS	Receiver Command, Address, and Data Differential Pairs
HT_RXCLK[1:0]P, HT_RXCLK[1:0]N	I	VDDHT	VSS	Receiver Clock Signal Differential Pair. Forwarded clock signal. Each byte of RXCAD uses a separate clock signal. Data is transferred on each clock edge.
HT_RXCTL[1:0]P, HT_RXCTL[1:0]N	I	VDDHT	VSS	Receiver Control Differential Pair. The pair is for distinguishing control packets from data packets. Each byte of RXCAD uses a separate control signal.
HT_TXCAD[15:0]P, HT_TXCAD[15:0]N	O	VDDHT	VSS	Transmitter Command, Address, and Data Differential Pairs

Table 3-1 HyperTransport™ Interface (Continued)

Pin Name	Type	Power Domain	Ground Domain	Functional Description
HT_TXCLK[1:0]P, HT_TXCLK[1:0]N	O	VDDHT	VSS	Transmitter Clock Signal Differential Pair. Forwarded clock signal. Each byte of TXCAD uses a separate clock signal. Data is transferred on each clock edge.
HT_TXCTL[1:0]P, HT_TXCTL[1:0]N	O	VDDHT	VSS	Transmitter Control Differential Pair. The pair is for distinguishing control packets from data packets. Each byte of TXCAD uses a separate control signal.
HT_RXCALN	Other	VDDHT	VSS	Receiver Calibration Resistor to HT_RXCALP
HT_RXCALP	Other	VDDHT	VSS	Receiver Calibration Resistor to HT_RXCALN
HT_TXCALP	Other	VDDHT	VSS	Transmitter Calibration Resistor to HTTX_CALN
HT_TXCALN	Other	VDDHT	VSS	Transmitter Calibration Resistor to HTTX_CALP

3.4 PCI Express® Interfaces

3.4.1 PCI Express® Interface for General Purpose External Devices

Table 3-2 PCI Express® Interface for General Purpose External Devices

Pin Name	Type	Power Domain	Ground Domain	Integrated Termination	Functional Description
GPP1_TX[15:0]P, GPP1_TX[15:0]N	O	VDDA18PCIE	VSSA_PCIE	50Ω between complements	General Purpose 1 Transmit Data Differential Pairs. Connect to connector[s] for general purpose external device[s] on the motherboard.
GPP1_RX[15:0]P, GPP1_RX[15:0]N	I	VDDA18PCIE	VSSA_PCIE	50Ω between complements	General Purpose 1 Receive Data Differential Pairs. Connect to connector[s] for general purpose external device[s] on the motherboard.
GPP2_TX[7:0]P, GPP2_TX[7:0]N	O	VDDA18PCIE	VSSA_PCIE	50Ω between complements	General Purpose 2 Transmit Data Differential Pairs. Connect to connector[s] for general purpose external device[s] on the motherboard.
GPP2_RX[7:0]P, GPP2_RX[7:0]N	I	VDDA18PCIE	VSSA_PCIE	50Ω between complements	General Purpose 2 Receive Data Differential Pairs. Connect to connector[s] for general purpose external device[s] on the motherboard.
GPP3_TX[5:0]P, GPP3_TX[5:0]N	O	VDDA18PCIE	VSSA_PCIE	50Ω between complements	General Purpose 3 Transmit Data Differential Pairs. Connect to connector[s] for general purpose external device[s] on the motherboard.
GPP3_RX[5:0]P, GPP3_RX[5:0]N	I	VDDA18PCIE	VSSA_PCIE	50Ω between complements	General Purpose 3 Receive Data Differential Pairs. Connect to connector[s] for general purpose external device[s] on the motherboard.

3.4.2 A-Link Express II Interface to Southbridge

Table 3-3 1 x 4 Lane A-Link Express II Interface for Southbridge

Pin Name	Type	Power Domain	Ground Domain	Integrated Termination	Functional Description
SB_TX[3:0]P, SB_TX[3:0]N	O	VDDA18PCIE	VSSA_PCIE	50Ω between complements	Southbridge Transmit Data Differential Pairs. Connect to the corresponding Receive Data Differential Pairs on the Southbridge.
SB_RX[3:0]P, SB_RX[3:0]N	I	VDDA18PCIE	VSSA_PCIE	50Ω between complements	Southbridge Receive Data Differential Pairs. Connect to the corresponding Transmit Data Differential Pairs on the Southbridge.

3.4.3 Miscellaneous PCI Express® Signals

Table 3-4 Miscellaneous PCI Express® Signals

Pin Name	Type	Power Domain	Ground Domain	Functional Description
PCE_BCALRN	I	VDDA18PCIE	VSSA_PCIE	N Channel Driver Compensation Calibration for Rx and Tx Channels on Bottom Side.
PCE_BCALRP	I	VDDA18PCIE	VSSA_PCIE	P Channel Driver Compensation Calibration for Rx and Tx Channels on Bottom Side
PCE_TCALRN	I	VDDA18PCIE	VSSA_PCIE	N Channel Driver Compensation Calibration for Rx and Tx Channels on Top Side.
PCE_TCALRP	I	VDDA18PCIE	VSSA_PCIE	P Channel Driver Compensation Calibration for Rx and Tx Channels on Top Side
PCE_RCALRN	I	VDDA18PCIE	VSSA_PCIE	N Channel Driver Compensation Calibration for Rx and Tx Channels on Right Side.
PCE_RCALRP	I	VDDA18PCIE	VSSA_PCIE	P Channel Driver Compensation Calibration for Rx and Tx Channels on Right Side
PCIE_RESET_GPIO[5:1]	I/O	VDDA18PCIE	VSS	PCIe Resets. Except for PCIE_RESET_GPIO3, they can also be used as GPIOs. There are internal pull-downs of 1.7 kΩ on these pins.

3.5 Clock Interface

Table 3-5 Clock Interface

Pin Name	Type	Power Domain	Ground Domain	Integrated Termination	Functional Description
HT_REFCLKP, HT_REFCLKN	I	VDDA18HTPLL	VSSA_HT	Disabled	HyperTransport™ 100 MHz Clock Differential Pair from external clock source
GPP1_REFCLKP, GPP1_REFCLKN	I	VDDA18PCIE	VSSA_PCIE	–	General Purpose 1 Clock Differential Pair. The pair has to be connected to an external clock generator on the motherboard whether the General Purpose 1 link is used or not.
GPP2_REFCLKP, GPP2_REFCLKN	I	VDDA18PCIE	VSSA_PCIE	–	General Purpose 2 Clock Differential Pair. The pair has to be connected to an external clock generator on the motherboard whether the General Purpose 2 link is used or not.
GPP3_REFCLKP, GPP3_REFCLKN	I	VDDA18PCIE	VSSA_PCIE	–	General Purpose 3 Clock Differential Pair. The pair has to be connected to an external clock generator on the motherboard whether the General Purpose 3 link is used or not.
OSCIN	I	VDD18	VSS	Disabled	14.318MHz Reference clock input from the external clock chip (1.8 volt signaling)

3.6 Power Management Pins

Table 3-6 Power Management Pins

Pin Name	Type	Power Domain	Ground Domain	Functional Description
ALLOW_LDTSTOP	OD	VDD18	VSS	Allow LDTSTOP. This signal is used by the SR5670 to communicate with the Southbridge and tell it when it can assert the LDTSTOP# signal. 1 = LDTSTOP# can be asserted 0 = LDTSTOP# has to be de-asserted
LDTSTOP#	I	VDD18	VSS	HyperTransport™ Stop. This signal is generated by the Southbridge and is used to determine when the HyperTransport link should be disconnected and go into a low-power state. It is a single-ended signal.

Table 3-6 Power Management Pins (Continued)

Pin Name	Type	Power Domain	Ground Domain	Functional Description
POWERGOOD	I	VDD18	VSS	Input from the motherboard signifying that the power to the SR5670 is up and ready. Signal High means all power planes are valid. It is not observed internally until it has been high for more than 6 consecutive REFCLK cycles. The rising edge of this signal is deglitched.
SYSRESET#	I	VDD18	VSS	Global Hardware Reset. This signal comes from the Southbridge.

3.7 Miscellaneous Pins

Table 3-7 Miscellaneous Pins

Pin Name	Type	Power Domain	Ground Domain	Integrated Termination	Functional Description
I2C_CLK	I/O	VDD18	VSS	–	I ² C interface clock signal. Can also be used as GPIO.
I2C_DATA	I/O	VDD18	VSS	–	I ² C interface data signal. Can also be used as GPIO.
STRP_DATA	I/O	VDD18	VSS	–	I ² C interface data signal for external EEPROM based strap loading. See the SR5670 Strap Document for details on the operation.
TESTMODE	I	VDD18	VSS	–	When High, puts the SR5670 in test mode and disables the SR5670 from operating normally.
DFT_GPIO5/ SYNCFLOODIN#	I/O	VDD18	VSS	Pull Up	Output for DFT TESTMODE, or Syncflood input for triggering a HyperTransport™ syncflood event. Because the pin is used as a pin strap during the power-on of the SR5670, an external device must not drive the pin until after SYSRESET# is deasserted. Also, the pin is not 3.3V tolerant and needs a level shifter when interfacing to a 3.3V line. The pin cannot be used for general GPIO functions.
DFT_GPIO[4:1],	I/O	VDD18	VSS	Pull Up	Outputs for DFT TESTMODE. These pins cannot be used for general GPIO functions.
DFT_GPIO0/NMI#	I/O	VDD18	VSS	Pull Up	Output for DFT TESTMODE, or NMI input for triggering an upstream NMI packet to the processor complex. Because the pin is used as a pin strap during the power-on of the SR5670, an external device must not drive the pin until after SYSRESET# is deasserted. Also, the pin is not 3.3V tolerant and needs a level shifter when interfacing to a 3.3V line. The pin cannot be used for general GPIO functions.
DBG_GPIO3/ NON_FATAL_CORR#	I/O	VDD18	VSS	Pull Up	Output for Debug Bus, or Non-Fatal or Correctable Error signal to BMC. The pin is not 3.3V tolerant and needs a level shifter when interfacing to a 3.3V line. When used as a debug bus output, the pin's NON_FATAL_CORR# function is overridden. The pin cannot be used for general GPIO functions.
DBG_GPIO[2:1]	I/O	VDD18	VSS	Pull Up	Outputs for Debug Bus. These pins cannot be used for general GPIO functions.
DBG_GPIO0/ SERR_FATAL#	I/O	VDD18	VSS	Pull Up	Output for Debug Bus, or System Error or Fatal Error signal to BMC. The pin is not 3.3V tolerant and needs a level shifter when interfacing to a 3.3V line. When used as a debug bus output, the pin's SERR_FATAL# function is overridden. The pin cannot be used for general GPIO functions.
THERMALDIODE_P, THERMALDIODE_N	A-O	–	–	–	Diode connections to external SM Bus microcontroller for monitoring IC thermal characteristics.
PWM_GPIO[6:1]	I/O	VDD18	VSS	–	GPIOs. PWM_GPIO6 and PWM_GPIO[4:3] are also parts of the test interface (see section 7.2, “Test Interface,” on page 7-1). PWM_GPIO5 and PWM_GPIO2 are also used as strap pins (see section 3.10, “Strapping Options,” on page 3-10).

3.8 Power Pins

Table 3-8 Power Pins

Pin Name	Voltage	Pin Count	Ball Reference	Comments
VDDC	1.1V	18	L14, L16, M13, M15, N12, N14, N16, P13, P15, P17, R12, R14, R16, T13, T15, T17, U14, U16	Core power
VDD18	1.8V	5	A18, B18, C18, D18, E18	I/O Power for GPIO pads
VDDPCIE	1.1 V	39	A3, B2, C1, C3, D4, E5, F6, G8, G10, H7, H9, H11, K7, L8, M7, N8, P7, R8, T7, V7, W8, Y7, AA8, AA10, AA12, AA16, AA18, AB7, AB9, AB11, AB13, AB15, AB17, AB19, AC6, AD5, AE4, AF3, AG2	PCI Express interface main I/O and PLL power
VDDA18PCIE	1.8 V	21	A12, A1, B12, B13, C12, C13, D12, D13, E12, E13, F12, F13, G12, G13, G14, H12, H13, H14, L11, V11, V18	PCI Express interface 1.8V I/O power
VDDHT	1.1V	21	AA22, AB22, AC22, K22, AD23, AE24, AE25, AE26, AE27, AE28, AF27, L21, M22, N21, P22, R21, T22, U21, V22, W21, Y22	HyperTransport™ Interface digital I/O power
VDDHTTX	1.2V	11	C24, C25, C26, C27, C28, D22, D23, E22, F22, G22, H22	HyperTransport Transmit Interface I/O power
VDDA18HTPLL	1.8V	1	G21	HyperTransport interface 1.8V PLL Power
Total Power Pin Count		116		

3.9 Ground Pins

Table 3-9 Ground Pins

Pin Name	Pin Count	Ball Reference	Comments
VSS	261	A11, A14, A16, A20, A22, A24, A26, A5, A7, A9, AA1, AA11, AA13, AA17, AA19, AA20, AA25, AA28, AA4, AA7, AA9, AB10, AB12, AB14, AB16, AB18, AB20, AB21, AB23, AB26, AB3, AB6, AB8, AC1, AC10, AC12, AC14, AC16, AC18, AC20, AC25, AC28, AC4, AC5, AC8, AD26, AD3, AD4, AE1, AE11, AE13, AE15, AE17, AE19, AE21, AE23, AE5, AE7, AE9, AF10, AF12, AF14, AF16, AF18, AF20, AF22, AF24, AF26, AF28, AF4, AF6, AF8, AG27, AG3, AH11, AH13, AH15, AH17, AH19, AH21, AH23, AH25, AH3, AH5, AH7, AH9, B14, B27, B3, C10, C14, C15, C17, C19, C2, C21, C23, C4, C6, C8, D11, D14, D16, D20, D26, D3, D5, D7, D9, E1, E20, E25, E28, E4, F10, F15, F17, F18, F19, F20, F21, F23, F26, F3, F8, G1, G11, G15, G16, G17, G18, G19, G20, G25, G28, G4, G9, H10, H15, H16, H17, H18, H19, H20, H21, H23, H26, H3, H6, J1, J22, J25, J28, J4, J7, K23, K26, K3, K6, K8, L1, L12, L13, L15, L17, L18, L22, L25, L28, L4, L7, M11, M12, M14, M16, M17, M18, M21, M23, M26, M3, M6, M8, N1, N11, N13, N15, N17, N18, N22, N25, N28, N4, N7, P11, P12, P14, P16, P18, P21, P23, P26, P3, P6, P8, R1, R11, R13, R15, R17, R18, R22, 25, R28, R4, R7, T11, T12, T14, T16, T18, T21, T23, T26, T3, T6, T8, U1, U11, U12, U13, U15, U17, U18, U22, U25, U28, U4, U7, V12, V13, V14, V15, V16, V17, V21, V23, V26, V3, V6, W1, W22, W25, W28, W4, W7, Y23, Y26, Y3, Y6, Y8	Common Ground

3.10 Strapping Options

The SR5670 provides strapping options to define specific operating parameters. The strap values are latched into internal registers after the assertion of the POWERGOOD signal to the SR5670. *Table 3-10, “Strap Definitions for the SR5670,”* shows the definitions of all the strap functions. These straps are set by one of the following four methods:

- Allowing the internal pull-up resistors to set all strap values “1”s automatically.
- Attaching pull-down resistors to specific strap pins listed in *Table 3-10* to set their values to “0”s.
- Downloading the strap values from an I²C serial EEPROM (for debug purpose only; contact your AMD FAE representative for details).
- Setting through an external debug port, if implemented (contact your AMD FAE representative for details).

Table 3-10 Strap Definitions for the SR5670

Strap Function	Strap Pin	Description
PRIMARY_NB	PWM_GPIO5	Indicates whether the device is a primary or a secondary Northbridge on a multiple-Northbridge platform. See <i>section 2.3, “Multiple Northbridge Support,” on page 2- 4</i> for details. Do not install a resistor for single-Northbridge platforms. 0: Device is a secondary Northbridge 1: Device is the primary Northbridge (Default)
Reserved	PWM_GPIO[4:2]	Reserved. Make provision for an external pull-down resistor on each of the pins, but do not install a resistor.
Reserved	DFT_GPIO0/NMI#	Reserved. Make provision for an external pull-down resistor on this pin, but do not install a resistor.
LOAD_ROM_STRAPS#	DFT_GPIO1	Selects loading of strap values from EEPROM 0: I ² C master can load strap values from EEPROM if connected, or use hardware default values if not connected 1: Use hardware default values (Default)
STRAP_PCIE_GPP_CFG	DFT_GPIO[4:2]	General Purpose Link 3 Configuration. See <i>Table 3-11</i> below for details.
Reserved	DFT_GPIO5/ SYNCFLOODIN#	Reserved. Make provision for an external pull-down resistor on this pin, but do not install a resistor.

Table 3-11 Strap Definition for STRAP_PCIE_GPP_CFG

Strap Pin Value			Link Width						Mode
DFT_GPIO4	DFT_GPIO3	DFT_GPIO2	GPP3 Lane 0	GPP3 Lane 1	GPP3 Lane 2	GPP3 Lane 3	GPP3 Lane 4	GPP3 Lane 5	
1	1	1	Hardware default (Mode L) or EEPROM strap values (Default)						-
1	1	0	Hardware default (Mode L) or EEPROM strap values						-
1	0	1	x2		x2		x2		C2
1	0	0	x2		x2		x1	x1	K
0	1	1	x2		x1	x1	x1	x1	E
0	1	0	x1	x1	x1	x1	x1	x1	L (Hardware Default)
0	0	1	x4				x1	x1	C
0	0	0	x4				x2		B

Note: If the pin straps instead of strap values from EEPROM are used, the GPP3 configuration will then be determined according to this table and cannot be changed after the system has been powered up.

Chapter 4

Timing Specifications

4.1 HyperTransport™ Bus Timing

For HyperTransport™ bus timing information, please refer to specifications by AMD.

4.2 PCI Express® Differential Clock AC Specifications

Table 4-1 Timing Requirements for PCIe® Differential Clocks (GPP1_REFCLK, GPP2_REFCLK, and GPP3_REFCLK at 100MHz)

Symbol	Description	Minimum	Maximum	Unit
Rising Edge Rate	Rising Edge Rate	0.6	4.0	V/ns
Falling Edge Rate	Falling Edge Rate	0.6	4.0	V/ns
T _{PERIOD AVG}	Average Clock Period Accuracy	-100	+100	ppm
T _{PERIOD ABS}	Absolute Period (including jitter and spread spectrum modulation)	9.847	10.203	ns
T _{CCJITTER}	Cycle to Cycle Jitter	-	150	ps
Duty Cycle	Duty Cycle	40	60	%
Rise-Fall Matching	Rising edge rate (REFCLK+) to falling edge rate (REFCLK-) matching	-	20	%

4.3 HyperTransport™ Reference Clock Timing Parameters

Table 4-2 Timing Requirements for HyperTransport™ Reference Clock (100MHz)

Symbol	Parameter	Minimum	Maximum	Unit	Note
ΔV_{CROSS}	Change in Crossing point voltage over all edges	-	140	mV	1
F	Frequency	99.5	100	MHz	2
ppm	Long Term Accuracy	-100	+100	Ppm	3
S _{FALL}	Output falling edge slew rate	-10	-0.5	V/ns	4, 5
S _{RISE}	Output rising edge slew rate	0.5	10	V/ns	4,5
T _{jc max}	Jitter, cycle to cycle	-	150	ps	6
T _{j-accumulated}	Accumulated jitter over a 10 μ s period	-1	1	ns	7
V _{D(PK-PK)}	Peak to Peak Differential Voltage	400	2400	mV	8
V _D	Differential Voltage	200	1200	mV	9
ΔV_D	Change in V _{DCC} cycle to cycle	-75	75	mV	10

Table 4-2 Timing Requirements for HyperTransport™ Reference Clock (100MHz) (Continued)

Symbol	Parameter	Minimum	Maximum	Unit	Note
DC	Duty Cycle	45	55	%	11

Notes:

More details are available in *AMD HyperTransport 3.0 Reference Clock Specification* and *AMD Family 10h Processor Reference Clock Parameters*, document # 34864

1 Single-ended measurement at crossing point. Value is maximum-minimum over all time. DC Value of common mode is not important due to blocking cap.

2 Minimum frequency is a consequence of 0.5% down spread spectrum.

3 Measured with spread spectrum turned off.

4 Only simulated at the receive die pad. This parameter is intended to give guidance for simulation. It cannot be tested on a tester but is guaranteed by design.

5 Differential measurement through the range of $\pm 100\text{mV}$, differential signal must remain monotonic and within slew rate specification when crossing through this region.

6 $T_{jc\ max}$ is the maximum difference of t_{CYCLE} between any two adjacent cycles.

7 Accumulated T_{jc} over a $10\mu\text{s}$ time period, measured with JIT2 TIE at 50ps interval.

8 $V_{D(PK-PK)}$ is the overall magnitude of the differential signal.

9 $V_{D(min)}$ is the amplitude of the ring-back differential measurement, guaranteed by design that the ring-back will not cross $0V_{D}$.

$V_{D(max)}$ is the largest amplitude allowed.

10 The difference in magnitude of two adjacent V_{DDC} measurements. V_{DDC} is the stable post overshoot and ring-back part of the signal.

11 Defined as t_{HIGH}/t_{CYCLE}

4.4 OSCIN Reference Clock Timing Parameters

Table 4-3 Timing Requirements for OSCIN Reference Clock (14.3181818MHz)

Symbol	Parameter	Min	Typical	Max	Unit	Note
TIP	REFCLK Period	0.037	–	1.1	μs	1
FIP	REFCLK Frequency	0.9	–	27	MHz	2
TIH	REFCLK High Time	2.0	–	–	ns	
TIL	REFCLK Low Time	2.0	–	–	ns	
TIR	REFCLK Rise Time	–	–	1.5	ns	
TIF	REFCLK Fall Time	–	–	1.5	ns	
TIJCC	REFCLK Cycle-to-Cycle Jitter Requirement	–	–	200	ps	
TIJPP	REFCLK Peak-to-Peak Jitter Requirement	–	–	200	ps	1
TIJLT	REFCLK Long Term Jitter Requirement (1 μs after scope trigger)	–	–	500	ps	

Notes:

1 Time intervals measured at 50% threshold point.

2 FIP is the reciprocal of TIP.

4.5 Power Rail Sequence

For the purpose of power rail sequencing, the power rails of the SR5670 are divided into groupings described in Table 4-4 below.

Table 4-4 Power Rail Groupings for the SR5670

Group Name	Power rail name	Voltage	ACPI STATE	Description
VDDC	VDDC	1.1V	S0-S2	Core power
VDDPCIE	VDDPCIE	1.1V	S0-S2	PCI Express® main IO power
VDDHTTX	VDDHTTX	1.2V	S0-S2	HyperTransport™ transmit interface IO power
HT_1.1V	VDDHT	1.1V	S0-S2	HyperTransport interface digital IO power

Table 4-4 Power Rail Groupings for the SR5670

Group Name	Power rail name	Voltage	ACPI STATE	Description
1.8V	VDD18	1.8V	S0-S2	I/O power for GPIO pads
	VDDA18PCIE	1.8V	S0-S2	PCI Express interface 1.8V IO and PLL power
	VDDA18HTPLL	1.8V	S0-S2	HyperTransport interface 1.8V PLL power

Note:

1. Power rails from the same group are assumed to be generated by the same voltage regulator.
2. Power rails from different groups but at the same voltage can either be generated by separate regulators or by the same regulators as long as they comply with the requirements specified in the *SR5690 Motherboard Design Guide*.

4.5.1 Power Up

Figure 4-1 below illustrates the power up sequencing for the various power groups, and Table 4-5 explains the symbols in the figure, as well as the associated requirements.

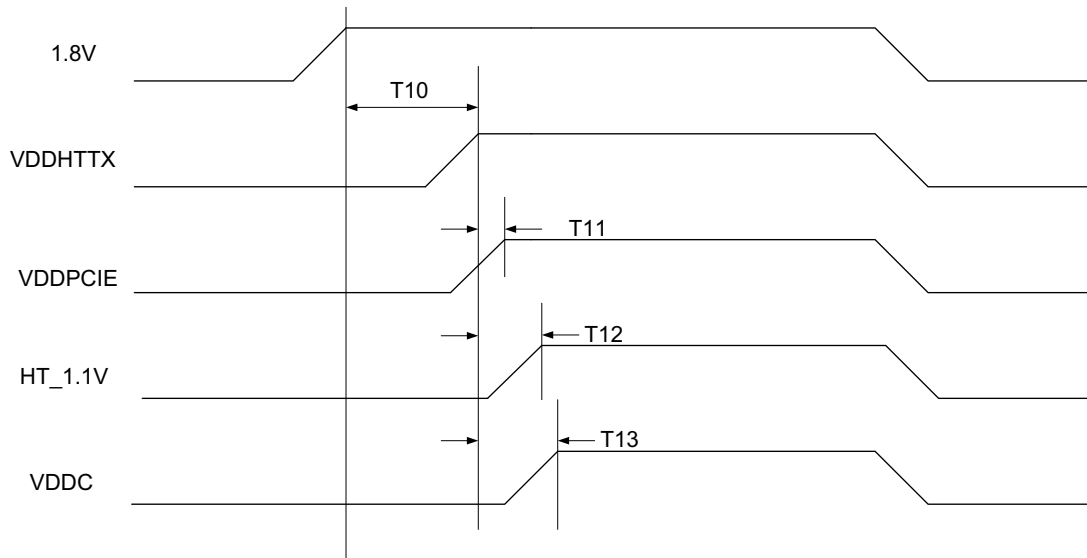


Figure 4-1 SR5670 Power Rail Power Up Sequence

Table 4-5 SR5670 Power Rail Power-up Sequence

Symbol	Parameter	Requirement	Comment
T10	1.8V rails to VDDHTTX (1.2V)	VDDHTTX ramps after 1.8V rails.	See Note 1.
T11	VDDHTTX (1.2V) to VDDPCIE (1.1V)	VDDPCIE ramps together with or after VDDHTTX	See Note 1 and 2.
T12	VDDHTTX(1.2V) to HT_1.1V rails	HT_1.1V rails ramp together with or after VDDHTTX	See Note 1 and 2.
T13	VDDHTTX(1.2V) to VDDC (1.1V)	VDDC ramps together with or after VDDHTTX	See Note 1 and 2.

Notes:

1. Power rail A ramps after power rail B means that the voltage of rail A does not exceed that of rail B at any time.
2. Power rail A ramps together with power rail B means that the two rails are controlled by the same enable signal and the difference in their ramping rates is only due to the differences in the loadings.

4.5.2 Power Down

For power down, the rails should either be turned off simultaneously or in the reversed order of the power up sequence. Variations in speeds of decay due to different capacitor discharge rates can be safely ignored.

Chapter 5

Electrical Characteristics and Physical Data

5.1 Electrical Characteristics

5.1.1 Maximum and Minimum Ratings

Table 5-1 Power Rail Maximum and Minimum Voltage Ratings

Pin	Typical	DC Limit*		AC Limit*		Unit	Comments
		Min.	Max.	Min.	Max.		
VDDC	1.1	1.067	1.133	1.045	1.155	V	Core power
VDD18	1.8	1.746	1.854	1.71	1.89	V	1.8V I/O Powers
VDDPCIE	1.1	1.067	1.133	1.045	1.155	V	PCI Express® Interface Main I/O Power
VDDA18PCIE	1.8	1.746	1.854	1.71	1.89	V	PCI Express interface 1.8V I/O and PLL power
VDDHT	1.1	1.067	1.133	1.045	1.155	V	HyperTransport™ Interface digital I/O power
VDDHTTX	1.2	1.164	1.236	1.14	1.26	V	HyperTransport Transmit Interface I/O power
VDDA18HTPLL	1.8	1.746	1.854	1.71	1.89	V	HyperTransport interface 1.8V PLL power

* **Note:** The voltage set-point must be contained within the DC specification in order to ensure proper operation. Voltage ripple and transient events outside the DC specification must remain within the AC specification at all times. Transients must return to within the DC specification within 20 μ s.

Table 5-2 Power Rail Current Ratings

Power Rail	Min. Load Average Current (A)	Max. Load Average Current (A)	Max. Average Power-on Current (A)	Max. Step Load Size (A)	Max. Slew Rate (A/ μ s)
VDDC	0.62	6.20	6.20	5.58	288
VDD18	0.00048	0.00060	0.00060	0.00012	-
VDDPCIE	0.31	2.98	3.43	3.12	22
VDDA18PCIE	0.02	1.01	1.09	1.07	19
VDDHT	0.23	1.90	1.90	1.67	26
VDDHTTX	0.08	0.51	0.51	0.43	7
VDDA18HTPLL	0.007	0.013	0.013	0.006	-

5.1.2 DC Characteristics

Table 5-1 DC Characteristics for PCIe® Differential Clocks (GPP1_REFCLK, GPP2_REFCLK, and GPP3_REFCLK at 100MHz)

Symbol	Description	Minimum	Maximum	Unit
V _{IL}	Differential Input Low Voltage	-	-150	mV
V _{IH}	Differential Input High Voltage	+150	-	mV
V _{CROSS}	Absolute Crossing Point Voltage	+250	+550	mV
V _{CROSS DELTA}	Variation of V _{CROSS} over all rising clock edges	-	+140	mV

Symbol	Description	Minimum	Maximum	Unit
V _{RB}	Ring-back Voltage Margin	-100	+100	mV
V _{IMAX}	Absolute Max Input Voltage	-	+1.15	V
V _{IMIN}	Absolute Min Input Voltage	-	-0.15	V

Table 5-3 DC Characteristics for 1.8V GPIO Pads

Symbol	Description	Minimum	Maximum	Unit	Notes
V _{IH-DC}	Input High Voltage	1.1	-	V	1
V _{IL-DC}	Input Low Voltage	-	0.7	V	1
V _{OH}	Minimum Output High Voltage @ I=8mA	1.4	-	V	2, 3
V _{OL}	Maximum Output Low Voltage @ I=8mA	-	0.4	V	2, 3
I _{OL}	Minimum Output Low Current @ V=0.1V	2.0	-	mA	2, 3
I _{OH}	Minimum Output High Current @ V=VDDR-0.1V	2.0	-	mA	2, 3

Notes:

- 1) Measured with edge rate of 1us at PAD pin.
- 2) For detailed current/voltage characteristics please refer to IBIS model.
- 3) Measurement taken with SP/SN set to default values, PVT=Noml Case

Table 5-4 DC Characteristics for the HyperTransport™ 100MHz Differential Clock (HT_REFCLK)

Symbol	Description	Minimum	Typical	Maximum	Comments
V _{IL}	Input Low Voltage	-	0V	0.2V	-
V _{IH}	Input High Voltage	1.4V	1.8V	-	-
V _{IMAX}	Maximum Input Voltage	-	-	2.1V	-

5.2 SR5670 Thermal Characteristics

This section describes some key thermal parameters of the SR5670. For a detailed discussion on these parameters and other thermal design descriptions, including package level thermal data and analysis, please consult the *Thermal Design and Analysis Guidelines for SR5650/5670/5690*, order# 44382.

5.2.1 SR5670 Thermal Limits

Table 5-5 SR5670 Thermal Limits

Parameter	Minimum	Nominal	Maximum	Unit	Note
Operating Case Temperature	0	—	95	°C	1
Absolute Rated Junction Temperature	—	—	115	°C	2
Storage Temperature	-40	—	60	°C	
Ambient Temperature	0	—	55	°C	3
Thermal Design Power	—	15.4	—	W	4

Notes:

- 1 - The maximum operating case temperature is the die top-center temperature measured via a thermocouple based on the methodology given in the document *Thermal Design and Analysis Guidelines for SR5650/5670/5690* (Chapter 12). This is the temperature at which the functionality of the chip is qualified.
- 2 - The maximum absolute rated junction temperature is the junction temperature at which the device can operate without causing damage to the ASIC.
- 3 - The ambient temperature is defined as the temperature of the local intake air at the inlet to the thermal management device. The maximum ambient temperature is dependent on the heat sink design, and the value given here is based on AMD's reference heat sink solution for the SR5670. Refer to Chapter 6 in *Thermal Design and Analysis Guidelines for SR5650/5670/5690* for heatsink and thermal design guidelines. Refer to Chapter 7 for details of ambient conditions.
- 4 - Thermal Design Power (TDP) is defined as the highest power dissipated while running currently available worst case applications at nominal voltages. The core voltage was raised to 5% above its nominal value for measuring the ASIC power. Since the core power of modern ASICs using 65nm and smaller process technology can vary significantly, parts specifically screened for higher core power were used for TDP measurement. The TDP is intended only as a design reference, and the value given here is preliminary.

5.2.2 Thermal Diode Characteristics

The SR5670 has an on-die thermal diode, with its positive and negative terminals connected to the THERMALDIODE_P and THERMALDIODE_N pins respectively. Combined with a thermal sensor circuit, the diode temperature, and hence the ASIC junction temperature, can be derived from a differential voltage reading (ΔV). The equation relating the temperature to ΔV is given below.

$$\Delta V = \frac{\eta \times K \times T \times \ln(N)}{q}$$

where:

ΔV = Difference of two base-to-emitter voltage readings, one using current = I and the other using current = N x I

N = Ratio of the two thermal diode currents (=10 when using an ADI thermal sensor, e.g.: ADM 1020, 1030)

η = Ideality factor of the diode

K = Boltzman's Constant

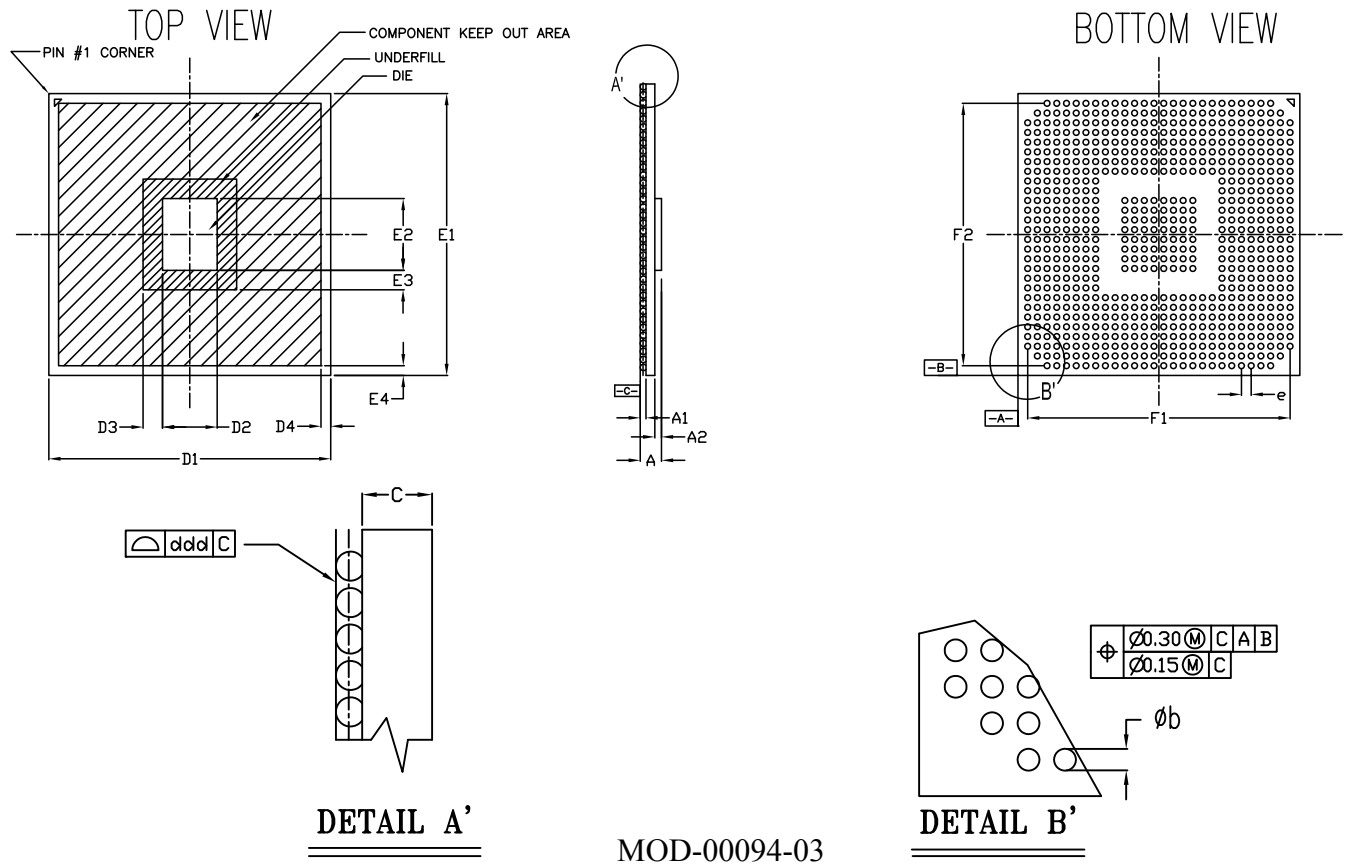
T = Temperature in Kelvin

q = Electron charge

The series resistance of the thermal diode (R_T) must be taken into account as it introduces an error in the reading (for every 1.0 Ω , approximately 0.8 $^{\circ}$ C is added to the reading). The sensor circuit should be calibrated to offset the R_T induced, plus any other known fixed errors. Measured values of diode ideality factor and series resistance for the diode circuit are defined in *Thermal Design and Analysis Guidelines for SR5650/5670/5690*.

5.3 Package Information

Figure 5-2 and Table 5-6 describe the physical dimensions of the SR5670 package. Figure 5-3 shows the detailed ball arrangement for the SR5670.



MOD-00094-03

Figure 5-2 SR5670 692-Pin FCBGA Package Outline

Table 5-6 SR5670 692-Pin FCBGA Package Physical Dimensions

Ref.	Min. (mm)	Typical (mm)	Max. (mm)
c	0.56	0.66	0.76
A	1.87	2.02	2.17
A1	0.40	0.50	0.60
A2	0.81	0.86	0.91
ϕb	0.50	0.60	0.70
D1	28.80	29.00	29.20
D2	-	5.62	-
D3	2.00	-	-
D4	1.00	-	-
E1	28.80	29.00	29.20
E2	-	7.39	-
E3	2.00	-	-
E4	1.00	-	-
F1	-	27.00	-
F2	-	27.00	-
e	-	1.00	-

Table 5-6 SR5670 692-Pin FCBGA Package Physical Dimensions

Ref.	Min. (mm)	Typical (mm)	Max. (mm)
ddd	-	-	0.20

Note: Maximum height of SMT components is 0.650 mm.

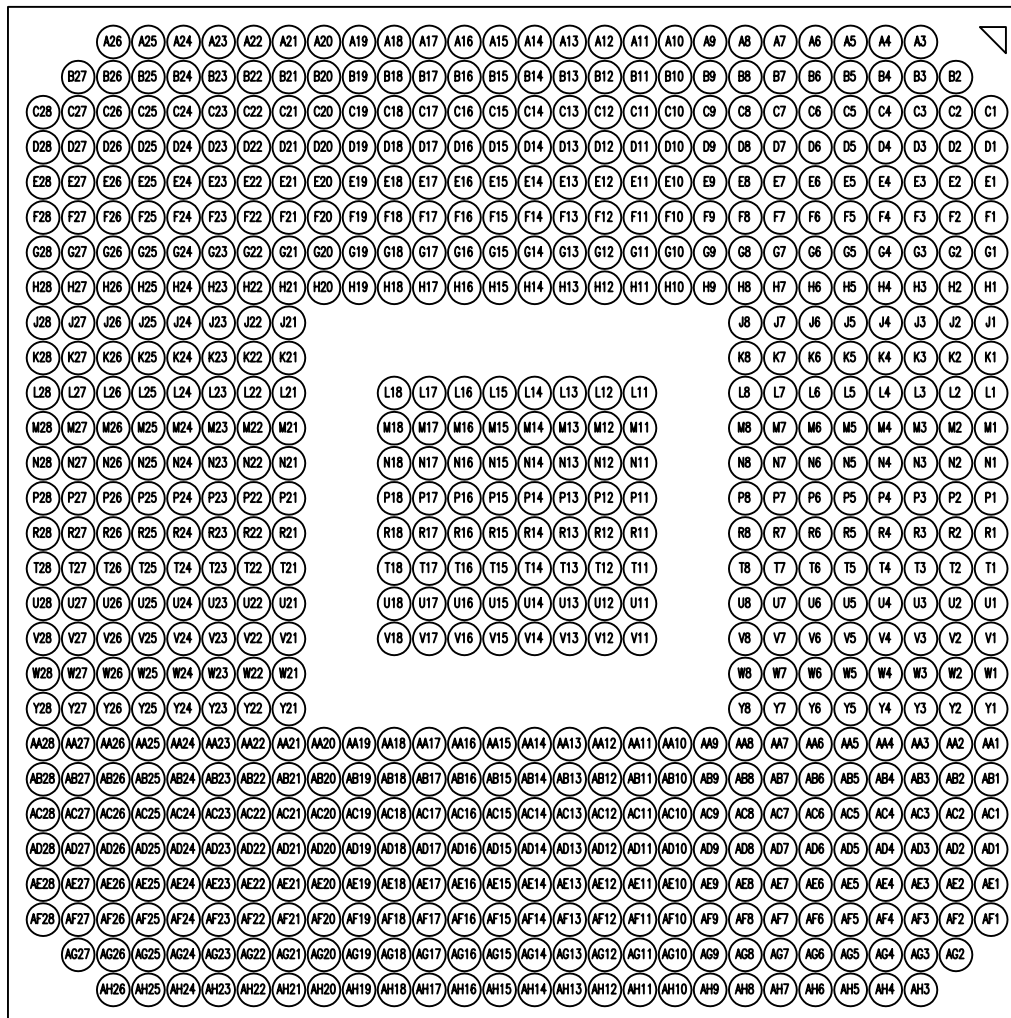


Figure 5-3 SR5670 Ball Arrangement (Bottom View)

5.3.1 Pressure Specification

To avoid damages to the ASIC (die or solder ball joint cracks) caused by improper mechanical assembly of the cooling device, follow the recommendations below:

- It is recommended that the maximum load that is evenly applied across the contact area between the thermal management device and the die does not exceed 6 lbf. Note that a total load of 4-6 lbf is adequate to secure the thermal management device and achieve the lowest thermal contact resistance with a temperature drop across the thermal interface material of no more than 3°C. Also, the surface flatness of the metal spreader should be 0.001 inch/1 inch.
- Pre-test the assembly fixture with a strain gauge to make sure that the flexing of the final assembled board and the pressure applying around the ASIC package will not exceed 600 micron strain under any circumstances.

- Ensure that any distortion (bow or twist) of the board after SMT and cooling device assembly is within industry guidelines (IPC/EIA J-STD-001). For measurement method, refer to the industry approved technique described in the manual IPC-TM-650, section 2.4.22.

5.3.2 Board Solder Reflow Process Recommendations

5.3.2.1 Stencil Opening Size for Solderball Pads on PCB

Warpage of the PCB and the package may cause solderjoint quality issues at the surface mount. Therefore, it is recommended that the stencil opening sizes be adjusted to compensate for the warpage. The recommendation is for the stencil aperture of the solderballs to be kept at the same size as the pads.

5.3.2.2 Reflow Profile

A reference reflow profile is given below. Please note the following when using RoHS/lead-free solder (SAC105/305/405 Tin-Silver-Cu):

- The final reflow temperature profile will depend on the type of solder paste and chemistry of flux used in the SMT process. Modifications to the reference reflow profile may be required in order to accommodate the requirements of the other components in the application.
- An oven with 10 heating zones or above is recommended.
- To ensure that the reflow profile meets the target specification on both sides of the board, a different profile and oven recipe for the first and second reflow may be required.
- Mechanical stiffening can be used to minimize board warpage during reflow.
- It is suggested to decrease temperature cooling rate to minimize board warpage.
- This reflow profile applies only to RoHS/lead-free (high temperature) soldering process and it should not be used for Eutectic solder packages. Damage may result if this condition is violated.
- Maximum 3 reflows are allowed on the same part.

Table 5-7 Recommended Board Solder Reflow Profile - RoHS/Lead-Free Solder

Profiling Stage	Temperature	Process Range
Overall Preheat	Room temp to 220°C	2 mins to 4 mins
Soaking Time	130°C to 170°C	Typical 60 – 80 seconds
Liquidus	220°C	Typical 60 – 80 seconds
Ramp Rate	Ramp up and Cooling	<2°C / second
Peak	Max. 245°C	235°C +/-5°C
Temperature at peak within 5°C	240°C to 245°C	10 – 30 seconds

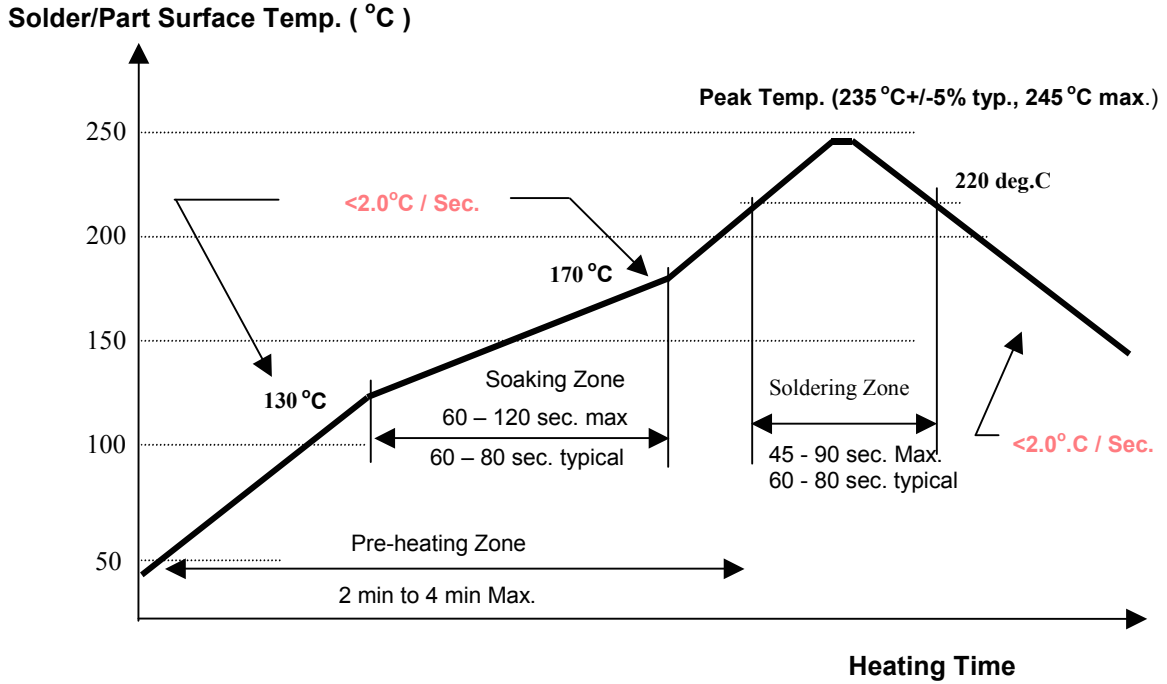


Figure 5-4 RoHS/Lead-Free Solder (SAC305/405 Tin-Silver-Copper) Reflow Profile

This page is left blank intentionally.

Chapter 6

Power Management and ACPI

6.1 ACPI Power Management Implementation

This chapter describes the support for ACPI power management provided by the SR5670. The SR5670 system controller supports ACPI Revision 2.0. The hardware, system BIOS, and drivers of the SR5670 have the logic required for meeting the power management specifications of PC2001, OnNow, and the Windows Logo Program and Device Requirements version 2.1. *Table 6-1, “ACPI States Supported by the SR5670,”* describes the ACPI states supported by the SR5670 system controller.

Table 6-1 ACPI States Supported by the SR5670

ACPI State	Description
Processor States:	
S0/C0: Working State	Working State. The processor is executing instructions.
S0/C1: Halt	CPU Halt state. No instructions are executed. This state has the lowest latency on resume and contributes minimum power savings.
S0/C2: Stop Grant Caches Snoopable	Stop Grant or Cache Snoopable CPU state. This state offers more power savings but has a higher latency on resume than the C1 state.
S0/C3: Stop Grant Caches Snoopable	Processor is put into the Stop Grant state. Caches are still snoopable. The HyperTransport™ link may be disconnected and put into a low power state. System memory may be put into self-refresh.
System States:	
S1: Standby Powered On Suspend	System is in Standby mode. This state has low wakeup latency on resume. OEM support of this state is optional.
S3: Standby Suspend to RAM	System is off but context is saved to RAM. System memory is put into self-refresh.
S4: Hibernate Suspend to Disk	System is off but context is saved to disk. When the system transitions to the working state, the OS is resumed without a system re-boot.
S5: Soft Off	System is off. OS re-boots when the system transitions to the working state.
G3: Mechanical Off	Occurs when system power (AC or battery) is not present or is unable to keep the system in one of the other states.

This page intentionally left blank.

Chapter 7

Testability

7.1 Test Capability Features

The SR5670 system controller has integrated test modes and capabilities. These test features cover both the ASIC and board level testing. The ASIC tests provide a very high fault coverage and low DPM (Defect Per Million) ratio of the part. The board level tests modes can be used for motherboard manufacturing and debug purposes. The following are the test modes of the SR5670 system controller:

- Full scan implementation on the digital core logic that provides about 97% fault coverage through ATPG (Automatic Test Pattern Generation Vectors).
- Dedicated test logic for the on-chip custom memory macros to provide complete coverage on these modules.
- Improved access to the analog modules and PLLs in the SR5670 system controller in order to allow full evaluation and characterization of these modules.
- A JTAG test mode (which is not entirely compliant to the IEEE 1149.1 standard) in order to allow board level testing of neighboring devices.
- An XOR TREE test mode on all the digital I/O's to allow for proper soldering verification at the board level.
- A VOH/VOL test mode on all digital I/O's to allow for proper verification of output high and output low voltages at the board level.

These test modes can be accessed through the settings on the instruction register of the JTAG circuitry.

7.2 Test Interface

Table 7-1 Pins on the Test Interface

Pin Name	Ball number	Type	Description
TESTMODE	A19	I	TEST_EN: Test Enable (IEEE 1149.1 test port reset)
PCIE_RESET_GPIO3	D19	I	TMS: Test Mode Select (IEEE 1149.1 test mode select)
I2C_DATA	C20	I	TDI: Test Mode Data In (IEEE 1149.1 data in)
I2C_CLK	B20	I	TCLK: Test Mode Clock (IEEE 1149.1 clock)
PWM_GPIO6	B16	O	TDO: Test Mode Data Out (IEEE 1149.1 data out)
PWM_GPIO4	A15	I	TEST_ODD: Control ODD output in VOH/VOL test
PWM_GPIO3	F16	I	TEST_EVEN: Control EVEN output in VOH/VOL test
POWERGOOD	A17	I	I/O Reset

7.3 XOR Tree

7.3.1 Brief Description of an XOR Tree

A sample of a generic XOR tree is shown in the figure below.

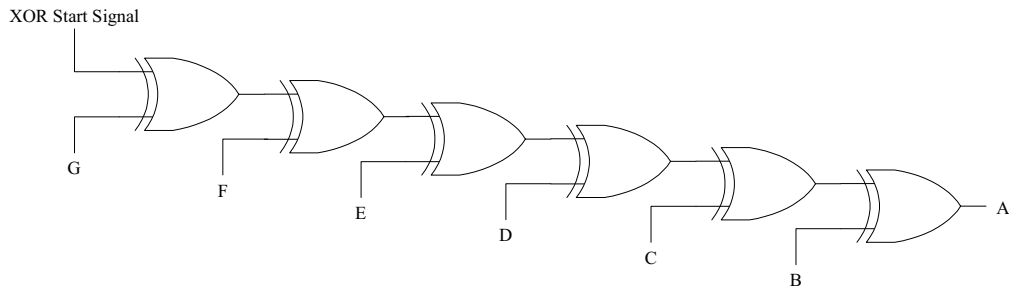


Figure 7-1 XOR Tree

Pin A is assigned to the output direction, and pins B through F are assigned to the input direction. It can be seen that after all pins B to F are assigned to logic 0 or 1, a logic change in any one of these pins will toggle the output pin A.

The following is the truth table for the XOR tree shown in [Figure 7-1](#). The XOR start signal is assumed to be logic 1.

Table 7-2 Example of an XOR Tree

Test Vector number	Input Pin G	Input Pin F	Input Pin E	Input Pin D	Input Pin C	Input Pin B	Output Pin A
1	0	0	0	0	0	0	1
2	1	0	0	0	0	0	0
3	1	1	0	0	0	0	1
4	1	1	1	0	0	0	0
5	1	1	1	1	0	0	1
6	1	1	1	1	1	0	0
7	1	1	1	1	1	1	1

7.3.2 Description of the XOR Tree for the SR5670

The XOR start signal is applied at the TDI Pin of the JTAG circuitry and the output of the XOR tree is obtained at the TDO Pin. Refer to [Section 7.3.4](#) for the list of the signals included on the XOR tree. There is no specific order to these signals in the tree. A toggle of any of these balls in the XOR tree will cause the output to toggle.

7.3.3 XOR Tree Activation

To activate the XOR tree and run a XOR test, perform the sequence below:

1. Supply a 10MHz clock to I2C_CLK (Test Mode Clock) and a differential clock pair to the HT_REFCLKP/N, GPP1_REFCLKP/N, GPP2_REFCLKP/N, and GPP3_REFCLKP/N pins.
2. Set POWERGOOD to 0.
3. Set TESTMODE to 1.
4. Set PCIE_RESET_GPIO2 to 0.
5. Wait 5 or more I2C_CLK cycles.
6. Load JTAG instruction register with the instruction 0001 1111.
7. Load JTAG instruction register with the instruction 0010 0000.
8. Load JTAG instruction register with the instruction 0000 1000.
9. Go to Run-Test_Idle state.
10. Set POWERGOOD to 1.

7.3.4 XOR Tree for the SR5670

The XOR start signal is applied at the TDI Pin of the JTAG circuitry and the output of the XOR tree is obtained at the TDO Pin. Refer to [Table 7-3](#) for the list of the signals included on the XOR tree.

There is no specific order to these signals in the tree. A toggle of any of these balls in the XOR tree will cause the output to toggle. When the XOR tree is activated, any pin on the XOR tree must be either pulled down or pulled up to the I/O voltage of the pin. Only pins that are **not** on the XOR tree can be left floating.

When differential signal pairs are listed as single entries on the XOR tree, opposite input values should be applied to the two signals in each pair (e.g., for entry no. 1 on the tree, when “1” is applied to HT_RXCAD0P, “0” should be applied to HT_RXCAD0N).

Table 7-3 SR5670 XOR Tree

No.	Pin Name	Ball Ref.	No.	Pin Name	Ball Ref.
1	HT_RXCAD0P/N	AD28/AD27	29	GPP1_RX10P/N	H5/H4
2	HT_RXCAD1P/N	AC27/AC26	30	GPP1_RX11P/N	J6/J5
3	HT_RXCAD2P/N	AB28/AB27	31	GPP1_RX12P/N	K5/K4
4	HT_RXCAD3P/N	AA27/AA26	32	GPP1_RX13P/N	L6/L5
5	HT_RXCAD4P/N	W27/W26	33	GPP1_RX14P/N	M5/M4
6	HT_RXCAD5P/N	V28/V27	34	GPP1_RX15P/N	N6/N5
7	HT_RXCAD6P/N	U27/U26	35	GPP2_RX0P/N	P5/P4
8	HT_RXCAD7P/N	T28/T27	36	GPP2_RX1P/N	R6/R5
9	HT_RXCTL0P/N	R27/R26	37	GPP2_RX2P/N	T5/T4
10	HT_RXCAD8P/N	AD25/AD24	38	GPP2_RX3P/N	U6/U5
11	HT_RXCAD9P/N	AC24/AC23	39	GPP2_RX4P/N	V5/V4
12	HT_RXCAD10P/N	AB25/AB24	40	GPP2_RX5P/N	W6/W5
13	HT_RXCAD11P/N	AA24/AA23	41	GPP2_RX6P/N	Y5/Y4
14	HT_RXCAD12P/N	W24/W23	42	GPP2_RX7P/N	AA6/AA5
15	HT_RXCAD13P/N	V25/V24	43	NC/NC	AB5/AB4
16	HT_RXCAD14P/N	U24/U23	44	NC/NC	AD2/AD1
17	HT_RXCAD15P/N	T25/T24	45	NC/NC	AF2/AF1
18	HT_RXCTL1P/N	R24/R23	46	NC/NC	AF5/AG5
19	GPP1_RX0P/N	E11/F11	47	NC/NC	AD6/AE6
20	GPP1_RX1P/N	D10/E10	48	NC/NC	AC7/AD7
21	GPP1_RX2P/N	E9/F9	49	NC/NC	AD8/AE8
22	GPP1_RX3P/N	D8/E8	50	NC/NC	AC9/AD9
23	GPP1_RX4P/N	E7/F7	51	GPP3_RX0P/N	AH20/AG20
24	GPP1_RX5P/N	D6/E6	52	GPP3_RX1P/N	AD19/AC19
25	GPP1_RX6P/N	B5/C5	53	GPP3_RX2P/N	AE18/AD18
26	GPP1_RX7P/N	D2/D1	54	GPP3_RX3P/N	AD17/AC17
27	GPP1_RX8P/N	F5/F4	55	GPP3_RX4P/N	AE16/AD16
28	GPP1_RX9P/N	G6/G5	56	GPP3_RX5P/N	AD15/AC15

No.	Pin Name	Ball Ref.
57	SB_RX0P/N	AG26/AH26
58	SB_RX1P/N	AF25/AG25
59	SB_RX2P/N	AD22/AE22
60	SB_RX3P/N	AC21/AD21
61	NC/NC	AE14/AD14
62	NC/NC	AD13/AC13
63	NC/NC	AE12/AD12
64	NC/NC	AD11/AC11
65	PWM_GPIO1	E16
66	PWM_GPIO2	B15
67	PWM_GPIO3	F16
68	PWM_GPIO4	A15
69	PWM_GPIO5	C16
70	PCIE_RESET_GPIO1	B19
71	PCIE_RESET_GPIO4	E19
72	PCIE_RESET_GPIO5	E17
73	DFT_GPIO0	B26
74	DFT_GPIO1	A25
75	DFT_GPIO2	B24
76	DFT_GPIO3	B25
77	DFT_GPIO4	B23
78	DFT_GPIO5	A23
79	DBG_GPIO0	C22
80	DBG_GPIO1	B22
81	DBG_GPIO2	B21
82	DBG_GPIO3	A21
83	ALLOW_LDTSTOP	D21
84	LDTSTOP#	E15

7.4 VOH/VOL Test

7.4.1 Brief Description of a VOH/VOL Tree

The VOH/VOL logic provides signal output on I/O's when test patterns are applied to the TEST_ODD and TEST_EVEN pins. A sample of a generic VOH/VOL tree is shown in the figure below.

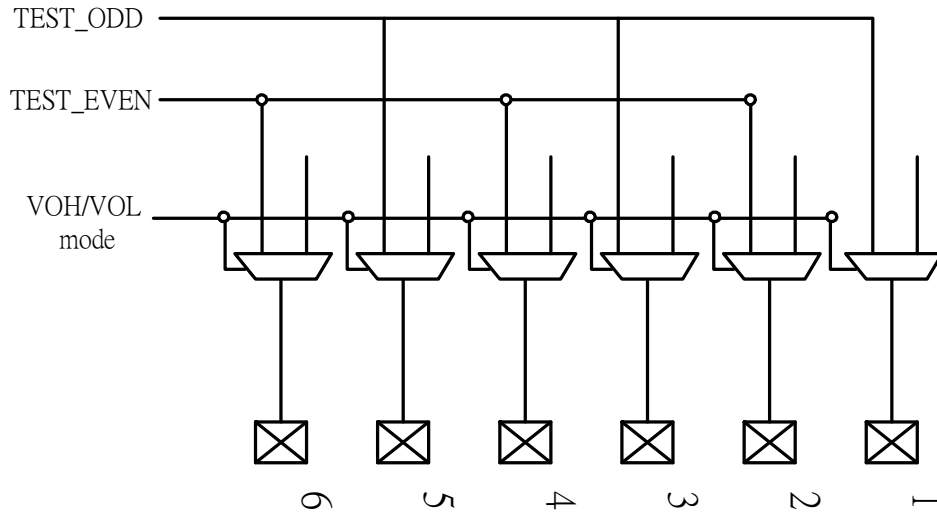


Figure 7-2 Sample of a Generic VOH/VOL Tree

The following is the truth table for the above VOH/VOL tree.

Table 7-4 Truth Table for the VOH/VOL Tree Outputs

Test Vector Number	TEST_ODD Input	TEST_EVEN Input	Output Pin 1	Output Pin 2	Output Pin 3	Output Pin 4	Output Pin 5	Output Pin 6
1	0	0	0	0	0	0	0	0
2	0	1	0	1	0	1	0	1
3	1	0	1	0	1	0	1	0
4	1	1	1	1	1	1	1	1

Refer to [Table 7-5](#) below for the list of pins that are on the VOH/VOL tree.

7.4.2 VOH/VOL Tree Activation

To activate the VOH/VOL tree and run a VOH/VOL test, perform the sequence below:

1. Supply a 10MHz clock to I2C_CLK (Test Mode Clock) and a differential clock pair to the HT_REFCLKP/N, GPP1_REFCLKP/N, GPP2_REFCLKP/N, and GPP3_REFCLKP/N pins.
2. Set POWERGOOD to 0.
3. Set TESTMODE to 1.
4. Set PCIE_RESET_GPIO2 to 0.
5. Wait 5 or more I2C_CLK cycles.
6. Load JTAG instruction register with the instruction 0001 1111.
7. Load JTAG instruction register with the instruction 0010 0000.
8. Load JTAG instruction register with the instruction 0101 1101.
9. Go to Run-Test_Idle state.
10. Set POWERGOOD to 1.

7.4.3 VOH/VOL pin list

Table 7-5 below shows the SR5670 VOH/VOL Tree. There is no specific order of connection. Under the Control column, an “Odd” or “Even” indicates that the logical output of the pin is same as the input to the “TEST_ODD” or the “TEST_EVEN” pin respectively.

When a differential signal pair appear in the table as a single entry, the output of the positive (“P”) pin is indicated in the Control column (see last paragraph for explanations) and the output of the negative pin (“N”) will be of the opposite value. E.g., for entry no. 1 on the tree, when TEST_EVEN is 1, HT_TXCAD0P will give a value of 1 and HT_TXCAD0N will give a value of 0.

Table 7-5 SR5670 VOH/VOL Tree

No.	Pin Name	Ball Ref.	Control
1	HT_TXCAD0P/N	E26/E27	Even
2	HT_TXCAD1P/N	F27/F28	Odd
3	HT_TXCAD2P/N	G26/G27	Even
4	HT_TXCAD3P/N	H27/H28	Odd
5	HT_TXCAD4P/N	K27/K28	Even
6	HT_TXCAD5P/N	L26/L27	Odd
7	HT_TXCAD6P/N	M27/M28	Even
8	HT_TXCAD7P/N	N26/N27	Odd
9	HT_TXCTL0P/N	P27/P28	Even
10	HT_TXCAD8P/N	E23/E24	Odd
11	HT_TXCAD9P/N	F24/F25	Even
12	HT_TXCAD10P/N	G23/G24	Odd
13	HT_TXCAD11P/N	H24/H25	Even
14	HT_TXCAD12P/N	K24/K25	Odd
15	HT_TXCAD13P/N	L23/L24	Even
16	HT_TXCAD14P/N	M24/M25	Odd
17	HT_TXCAD15P/N	N23/N24	Even
18	HT_TXCTL1P/N	P24/P25	Odd
19	GPP1_TX0P/N	B11/C11	Even
20	GPP1_TX1P/N	A10/B10	Odd
21	GPP1_TX2P/N	B9/C9	Even
22	GPP1_TX3P/N	A8/B8	Odd
23	GPP1_TX4P/N	B7/C7	Even
24	GPP1_TX5P/N	A6/B6	Odd
25	GPP1_TX6P/N	A4/B4	Even
26	GPP1_TX7P/N	E3/E2	Odd
27	GPP1_TX8P/N	F2/F1	Even
28	GPP1_TX9P/N	G3/G2	Odd
29	GPP1_TX10P/N	H2/H1	Even

No.	Pin Name	Ball Ref.	Control
30	GPP1_TX11P/N	J3/J2	Odd
31	GPP1_TX12P/N	K2/K1	Even
32	GPP1_TX13P/N	L3/L2	Odd
33	GPP1_TX14P/N	M2/M1	Even
34	GPP1_TX15P/N	N3/N2	Odd
35	GPP2_TX0P/N	P2/P1	Even
36	GPP2_TX1P/N	R3/R2	Odd
37	GPP2_TX2P/N	T2/T1	Even
38	GPP2_TX3P/N	U3/U2	Odd
39	GPP2_TX4P/N	V2/V1	Even
40	GPP2_TX5P/N	W3/W2	Odd
41	GPP2_TX6P/N	Y2/Y1	Even
42	GPP2_TX7P/N	AA3/AA2	Odd
43	NC/NC	AB2/AB1	Even
44	NC/NC	AC3/AC2	Odd
45	NC/NC	AE3/AE2	Even
46	NC/NC	AG4/AH4	Odd
47	NC/NC	AG6/AH6	Even
48	NC/NC	AF7/AG7	Odd
49	NC/NC	AG8/AH8	Even
50	NC/NC	AF9/AG9	Odd
51	GPP3_TX0P/N	AG19/AF19	Even
52	GPP3_TX1P/N	AH18/AG18	Odd
53	GPP3_TX2P/N	AG17/AF17	Even
54	GPP3_TX3P/N	AH16/AG16	Odd
55	GPP3_TX4P/N	AG15/AF15	Even
56	GPP3_TX5P/N	AH14/AG14	Odd
57	SB_TX0P/N	AG24/AH24	Even
58	SB_TX1P/N	AF23/AG23	Odd

No.	Pin Name	Ball Ref.	Control
59	SB_TX2P/N	AF21/AG21	Even
60	SB_TX3P/N	AG22/AH22	Odd
61	NC/NC	AG13/AF13	Even
62	NC/NC	AH12/AG12	Odd
63	NC/NC	AG11/AF11	Even
64	NC/NC	AH10/AG10	Odd
65	PWM_GPIO1	E16	Even
66	PWM_GPIO2	B15	Odd
67	PWM_GPIO5	C16	Even
68	PCIE_RESET_GPIO1	B19	Odd
69	PCIE_RESET_GPIO4	E19	Even
70	PCIE_RESET_GPIO5	E17	Odd
71	DFT_GPIO0	B26	Even
72	DFT_GPIO1	A25	Odd
73	DFT_GPIO2	B24	Even
74	DFT_GPIO3	B25	Odd
75	DFT_GPIO4	B23	Even
76	DFT_GPIO5	A23	Odd
77	DBG_GPIO0	C22	Even
78	DBG_GPIO1	B22	Odd
79	DBG_GPIO2	B21	Even
80	DBG_GPIO3	A21	Odd
81	ALLOW_LDTSTOP	D21	Even
82	LDTSTOP#	E15	Odd

This page intentionally left blank.

Appendix A

Pin Listings

This appendix contains pin listings for the SR5670 sorted in different ways. To go to the listing of interest, use the linked cross-references below:

[*“SR5670 Pin Listing Sorted by Ball Reference” on page A-2*](#)

[*“SR5670 Pin Listing Sorted by Pin Name” on page A-9*](#)

A.1 SR5670 Pin Listing Sorted by Ball Reference

Table A-1 SR5670 Pin Listing Sorted by Ball Reference

Ball #	Ball Name	Ball #	Ball Name	Ball #	Ball Name
A10	GPP1_TX1P	AA18	VDDPCIE	AB23	VSS
A11	VSS	AA19	VSS	AB24	HT_RXCAD10N
A12	VDDA18PCIE	AA2	GPP2_TX7N	AB25	HT_RXCAD10P
A13	VDDA18PCIE	AA20	VSS	AB26	VSS
A14	VSS	AA21	THERMALDIODE_N	AB27	HT_RXCAD2N
A15	PWM_GPIO4	AA22	VDDHT	AB28	HT_RXCAD2P
A16	VSS	AA23	HT_RXCAD11N	AB3	VSS
A17	POWERGOOD	AA24	HT_RXCAD11P	AB4	NC
A18	VDD18	AA25	VSS	AB5	NC
A19	TESTMODE	AA26	HT_RXCAD3N	AB6	VSS
A20	VSS	AA27	HT_RXCAD3P	AB7	VDDPCIE
A21	DBG_GPIO3/ NON_FATAL_CORR#	AA28	VSS	AB8	VSS
A22	VSS	AA3	GPP2_TX7P	AB9	VDDPCIE
A23	DFT_GPIO5/ SYNCFLOODIN#	AA4	VSS	AC1	VSS
A24	VSS	AA5	GPP2_RX7N	AC10	VSS
A25	DFT_GPIO1	AA6	GPP2_RX7P	AC11	NC
A26	VSS	AA7	VSS	AC12	VSS
A3	VDDPCIE	AA8	VDDPCIE	AC13	NC
A4	GPP1_TX6P	AA9	VSS	AC14	VSS
A5	VSS	AB1	NC	AC15	GPP3_RX5N
A6	GPP1_TX5P	AB10	VSS	AC16	VSS
A7	VSS	AB11	VDDPCIE	AC17	GPP3_RX3N
A8	GPP1_TX3P	AB12	VSS	AC18	VSS
A9	VSS	AB13	VDDPCIE	AC19	GPP3_RX1N
AA1	VSS	AB14	VSS	AC2	NC
AA10	VDDPCIE	AB15	VDDPCIE	AC20	VSS
AA11	VSS	AB16	VSS	AC21	SB_RX3P
AA12	VDDPCIE	AB17	VDDPCIE	AC22	VDDHT
AA13	VSS	AB18	VSS	AC23	HT_RXCAD9N
AA14	GPP3_REFCLKN	AB19	VDDPCIE	AC24	HT_RXCAD9P
AA15	GPP3_REFCLKP	AB2	NC	AC25	VSS
AA16	VDDPCIE	AB20	VSS	AC26	HT_RXCAD1N
AA17	VSS	AB21	VSS	AC27	HT_RXCAD1P
		AB22	VDDHT	AC28	VSS

Ball #	Ball Name
AC3	NC
AC4	VSS
AC5	VSS
AC6	VDDPCIE
AC7	NC
AC8	VSS
AC9	NC
AD1	NC
AD10	PCE_RCALRN
AD11	NC
AD12	NC
AD13	NC
AD14	NC
AD15	GPP3_RX5P
AD16	GPP3_RX4N
AD17	GPP3_RX3P
AD18	GPP3_RX2N
AD19	GPP3_RX1P
AD2	NC
AD20	PCE_BCALRN
AD21	SB_RX3N
AD22	SB_RX2P
AD23	VDDHT
AD24	HT_RXCAD8N
AD25	HT_RXCAD8P
AD26	VSS
AD27	HT_RXCAD0N
AD28	HT_RXCAD0P
AD3	VSS
AD4	VSS
AD5	VDDPCIE
AD6	NC
AD7	NC
AD8	NC
AD9	NC
AE1	VSS
AE10	PCE_RCALRP

Ball #	Ball Name
AE11	VSS
AE12	NC
AE13	VSS
AE14	NC
AE15	VSS
AE16	GPP3_RX4P
AE17	VSS
AE18	GPP3_RX2P
AE19	VSS
AE2	NC
AE20	PCE_BCALRP
AE21	VSS
AE22	SB_RX2N
AE23	VSS
AE24	VDDHT
AE25	VDDHT
AE26	VDDHT
AE27	VDDHT
AE28	VDDHT
AE3	NC
AE4	VDDPCIE
AE5	VSS
AE6	NC
AE7	VSS
AE8	NC
AE9	VSS
AF1	NC
AF10	VSS
AF11	NC
AF12	VSS
AF13	NC
AF14	VSS
AF15	GPP3_TX4N
AF16	VSS
AF17	GPP3_TX2N
AF18	VSS
AF19	GPP3_TX0N

Ball #	Ball Name
AF2	NC
AF20	VSS
AF21	SB_TX2P
AF22	VSS
AF23	SB_TX1P
AF24	VSS
AF25	SB_RX1P
AF26	VSS
AF27	VDDHT
AF28	VSS
AF3	VDDPCIE
AF4	VSS
AF5	NC
AF6	VSS
AF7	NC
AF8	VSS
AF9	NC
AG10	NC
AG11	NC
AG12	NC
AG13	NC
AG14	GPP3_TX5N
AG15	GPP3_TX4P
AG16	GPP3_TX3N
AG17	GPP3_TX2P
AG18	GPP3_TX1N
AG19	GPP3_TX0P
AG2	VDDPCIE
AG20	GPP3_RX0N
AG21	SB_TX2N
AG22	SB_TX3P
AG23	SB_TX1N
AG24	SB_TX0P
AG25	SB_RX1N
AG26	SB_RX0P
AG27	VSS
AG3	VSS

Ball #	Ball Name
AG4	NC
AG5	NC
AG6	NC
AG7	NC
AG8	NC
AG9	NC
AH10	NC
AH11	VSS
AH12	NC
AH13	VSS
AH14	GPP3_TX5P
AH15	VSS
AH16	GPP3_TX3P
AH17	VSS
AH18	GPP3_TX1P
AH19	VSS
AH20	GPP3_RX0P
AH21	VSS
AH22	SB_TX3N
AH23	VSS
AH24	SB_TX0N
AH25	VSS
AH26	SB_RX0N
AH3	VSS
AH4	NC
AH5	VSS
AH6	NC
AH7	VSS
AH8	NC
AH9	VSS
B10	GPP1_TX1N
B11	GPP1_TX0P
B12	VDDA18PCIE
B13	VDDA18PCIE
B14	VSS
B15	PWM_GPIO2

Ball #	Ball Name
B16	PWM_GPIO6
B17	OSCIN
B18	VDD18
B19	PCIE_RESET_GPIO1
B2	VDDPCIE
B20	I2C_CLK
B21	DBG_GPIO2
B22	DBG_GPIO1
B23	DFT_GPIO4
B24	DFT_GPIO2
B25	DFT_GPIO3
B26	DFT_GPIO0/NMI#
B27	VSS
B3	VSS
B4	GPP1_TX6N
B5	GPP1_RX6P
B6	GPP1_TX5N
B7	GPP1_TX4P
B8	GPP1_TX3N
B9	GPP1_TX2P
C1	VDDPCIE
C10	VSS
C11	GPP1_TX0N
C12	VDDA18PCIE
C13	VDDA18PCIE
C14	VSS
C15	VSS
C16	PWM_GPIO5
C17	VSS
C18	VDD18
C19	VSS
C2	VSS
C20	I2C_DATA
C21	VSS
C22	DBG_GPIO0/SERR_F ATAL#

Ball #	Ball Name
C23	VSS
C24	VDDHTTX
C25	VDDHTTX
C26	VDDHTTX
C27	VDDHTTX
C28	VDDHTTX
C3	VDDPCIE
C4	VSS
C5	GPP1_RX6N
C6	VSS
C7	GPP1_TX4N
C8	VSS
C9	GPP1_TX2N
D1	GPP1_RX7N
D10	GPP1_RX1P
D11	VSS
D12	VDDA18PCIE
D13	VDDA18PCIE
D14	VSS
D15	SYSRESET#
D16	VSS
D17	PCIE_RESET_GPIO2
D18	VDD18
D19	PCIE_RESET_GPIO3
D2	GPP1_RX7P
D20	VSS
D21	ALLOW_LDTSTOP
D22	VDDHTTX
D23	VDDHTTX
D24	HT_RXCALN
D25	HT_RXCALP
D26	VSS
D27	HT_TXCALN
D28	HT_TXCALP
D3	VSS
D4	VDDPCIE

Ball #	Ball Name
D5	VSS
D6	GPP1_RX5P
D7	VSS
D8	GPP1_RX3P
D9	VSS
E1	VSS
E10	GPP1_RX1N
E11	GPP1_RX0P
E12	VDDA18PCIE
E13	VDDA18PCIE
E14	PCE_TCALRN
E15	LDTSTOP#
E16	PWM_GPIO1
E17	PCIE_RESET_GPIO5
E18	VDD18
E19	PCIE_RESET_GPIO4
E2	GPP1_TX7N
E20	VSS
E21	STRP_DATA
E22	VDDHTTX
E23	HT_TXCAD8P
E24	HT_TXCAD8N
E25	VSS
E26	HT_TXCAD0P
E27	HT_TXCAD0N
E28	VSS
E3	GPP1_TX7P
E4	VSS
E5	VDDPCIE
E6	GPP1_RX5N
E7	GPP1_RX4P
E8	GPP1_RX3N
E9	GPP1_RX2P
F1	GPP1_TX8N
F10	VSS
F11	GPP1_RX0N

Ball #	Ball Name
F12	VDDA18PCIE
F13	VDDA18PCIE
F14	PCE_TCALRP
F15	VSS
F16	PWM_GPIO3
F17	VSS
F18	VSS
F19	VSS
F2	GPP1_TX8P
F20	VSS
F21	VSS
F22	VDDHTTX
F23	VSS
F24	HT_TXCAD9P
F25	HT_TXCAD9N
F26	VSS
F27	HT_TXCAD1P
F28	HT_TXCAD1N
F3	VSS
F4	GPP1_RX8N
F5	GPP1_RX8P
F6	VDDPCIE
F7	GPP1_RX4N
F8	VSS
F9	GPP1_RX2N
G1	VSS
G10	VDDPCIE
G11	VSS
G12	VDDA18PCIE
G13	VDDA18PCIE
G14	VDDA18PCIE
G15	VSS
G16	VSS
G17	VSS
G18	VSS
G19	VSS

Ball #	Ball Name
G2	GPP1_TX9N
G20	VSS
G21	VDDA18HTPLL
G22	VDDHTTX
G23	HT_TXCAD10P
G24	HT_TXCAD10N
G25	VSS
G26	HT_TXCAD2P
G27	HT_TXCAD2N
G28	VSS
G3	GPP1_TX9P
G4	VSS
G5	GPP1_RX9N
G6	GPP1_RX9P
G7	VDDPCIE
G8	VDDPCIE
G9	VSS
H1	GPP1_TX10N
H10	VSS
H11	VDDPCIE
H12	VDDA18PCIE
H13	VDDA18PCIE
H14	VDDA18PCIE
H15	VSS
H16	VSS
H17	VSS
H18	VSS
H19	VSS
H2	GPP1_TX10P
H20	VSS
H21	VSS
H22	VDDHTTX
H23	VSS
H24	HT_TXCAD11P
H25	HT_TXCAD11N
H26	VSS

Ball #	Ball Name
H27	HT_TXCAD3P
H28	HT_TXCAD3N
H3	VSS
H4	GPP1_RX10N
H5	GPP1_RX10P
H6	VSS
H7	VDDPCIE
H8	GPP1_REFCLKN
H9	VDDPCIE
J1	VSS
J2	GPP1_TX11N
J21	HT_REFCLKN
J22	VSS
J23	HT_TXCLK1P
J24	HT_TXCLK1N
J25	VSS
J26	HT_TXCLK0P
J27	HT_TXCLK0N
J28	VSS
J3	GPP1_TX11P
J4	VSS
J5	GPP1_RX11N
J6	GPP1_RX11P
J7	VSS
J8	GPP1_REFCLKP
K1	GPP1_TX12N
K2	GPP1_TX12P
K21	HT_REFCLKP
K22	VDDHT
K23	VSS
K24	HT_TXCAD12P
K25	HT_TXCAD12N
K26	VSS
K27	HT_TXCAD4P
K28	HT_TXCAD4N
K3	VSS

Ball #	Ball Name
K4	GPP1_RX12N
K5	GPP1_RX12P
K6	VSS
K7	VDDPCIE
K8	VSS
L1	VSS
L11	VDDA18PCIE
L12	VSS
L13	VSS
L14	VDDC
L15	VSS
L16	VDDC
L17	VSS
L18	VSS
L2	GPP1_TX13N
L21	VDDHT
L22	VSS
L23	HT_TXCAD13P
L24	HT_TXCAD13N
L25	VSS
L26	HT_TXCAD5P
L27	HT_TXCAD5N
L28	VSS
L3	GPP1_TX13P
L4	VSS
L5	GPP1_RX13N
L6	GPP1_RX13P
L7	VSS
L8	VDDPCIE
M1	GPP1_TX14N
M11	VSS
M12	VSS
M13	VDDC
M14	VSS
M15	VDDC
M16	VSS

Ball #	Ball Name
M17	VSS
M18	VSS
M2	GPP1_TX14P
M21	VSS
M22	VDDHT
M23	VSS
M24	HT_TXCAD14P
M25	HT_TXCAD14N
M26	VSS
M27	HT_TXCAD6P
M28	HT_TXCAD6N
M3	VSS
M4	GPP1_RX14N
M5	GPP1_RX14P
M6	VSS
M7	VDDPCIE
M8	VSS
N1	VSS
N11	VSS
N12	VDDC
N13	VSS
N14	VDDC
N15	VSS
N16	VDDC
N17	VSS
N18	VSS
N2	GPP1_TX15N
N21	VDDHT
N22	VSS
N23	HT_TXCAD15P
N24	HT_TXCAD15N
N25	VSS
N26	HT_TXCAD7P
N27	HT_TXCAD7N
N28	VSS
N3	GPP1_TX15P

Ball #	Ball Name
N4	VSS
N5	GPP1_RX15N
N6	GPP1_RX15P
N7	VSS
N8	VDDPCIE
P1	GPP2_TX0N
P11	VSS
P12	VSS
P13	VDDC
P14	VSS
P15	VDDC
P16	VSS
P17	VDDC
P18	VSS
P2	GPP2_TX0P
P21	VSS
P22	VDDHT
P23	VSS
P24	HT_TXCTL1P
P25	HT_TXCTL1N
P26	VSS
P27	HT_TXCTL0P
P28	HT_TXCTL0N
P3	VSS
P4	GPP2_RX0N
P5	GPP2_RX0P
P6	VSS
P7	VDDPCIE
P8	VSS
R1	VSS
R11	VSS
R12	VDDC
R13	VSS
R14	VDDC
R15	VSS
R16	VDDC

Ball #	Ball Name
R17	VSS
R18	VSS
R2	GPP2_TX1N
R21	VDDHT
R22	VSS
R23	HT_RXCTL1N
R24	HT_RXCTL1P
R25	VSS
R26	HT_RXCTL0N
R27	HT_RXCTL0P
R28	VSS
R3	GPP2_TX1P
R4	VSS
R5	GPP2_RX1N
R6	GPP2_RX1P
R7	VSS
R8	VDDPCIE
T1	GPP2_TX2N
T11	VSS
T12	VSS
T13	VDDC
T14	VSS
T15	VDDC
T16	VSS
T17	VDDC
T18	VSS
T2	GPP2_TX2P
T21	VSS
T22	VDDHT
T23	VSS
T24	HT_RXCAD15N
T25	HT_RXCAD15P
T26	VSS
T27	HT_RXCAD7N
T28	HT_RXCAD7P
T3	VSS

Ball #	Ball Name
T4	GPP2_RX2N
T5	GPP2_RX2P
T6	VSS
T7	VDDPCIE
T8	VSS
U1	VSS
U11	VSS
U12	VSS
U13	VSS
U14	VDDC
U15	VSS
U16	VDDC
U17	VSS
U18	VSS
U2	GPP2_TX3N
U21	VDDHT
U22	VSS
U23	HT_RXCAD14N
U24	HT_RXCAD14P
U25	VSS
U26	HT_RXCAD6N
U27	HT_RXCAD6P
U28	VSS
U3	GPP2_TX3P
U4	VSS
U5	GPP2_RX3N
U6	GPP2_RX3P
U7	VSS
U8	GPP2_REFCLKN
V1	GPP2_TX4N
V11	VDDA18PCIE
V12	VSS
V13	VSS
V14	VSS
V15	VSS
V16	VSS

Ball #	Ball Name
V17	VSS
V18	VDDA18PCIE
V2	GPP2_TX4P
V21	VSS
V22	VDDHT
V23	VSS
V24	HT_RXCAD13N
V25	HT_RXCAD13P
V26	VSS
V27	HT_RXCAD5N
V28	HT_RXCAD5P
V3	VSS
V4	GPP2_RX4N
V5	GPP2_RX4P
V6	VSS
V7	VDDPCIE
V8	GPP2_REFCLKP
W1	VSS
W2	GPP2_TX5N
W21	VDDHT
W22	VSS
W23	HT_RXCAD12N
W24	HT_RXCAD12P
W25	VSS
W26	HT_RXCAD4N
W27	HT_RXCAD4P
W28	VSS
W3	GPP2_TX5P
W4	VSS
W5	GPP2_RX5N
W6	GPP2_RX5P
W7	VSS
W8	VDDPCIE
Y1	GPP2_TX6N
Y2	GPP2_TX6P
Y21	THERMALDIODE_P

Ball #	Ball Name
Y22	VDDHT
Y23	VSS
Y24	HT_RXCLK1N
Y25	HT_RXCLK1P
Y26	VSS
Y27	HT_RXCLK0N
Y28	HT_RXCLK0P
Y3	VSS
Y4	GPP2_RX6N
Y5	GPP2_RX6P
Y6	VSS
Y7	VDDPCIE
Y8	VSS

A.2 SR5670 Pin Listing Sorted by Pin Name

Ball Name	Ball #
ALLOW_LDTSTOP	D21
DBG_GPIO0/SERR_F ATAL#	C22
DBG_GPIO1	B22
DBG_GPIO2	B21
DBG_GPIO3/ NON_FATAL_CORR#	A21
DFT_GPIO0/NM#	B26
DFT_GPIO1	A25
DFT_GPIO2	B24
DFT_GPIO3	B25
DFT_GPIO4	B23
DFT_GPIO5/ SYNCFLOODIN#	A23
GPP1_REFCLKN	H8
GPP1_REFCLKP	J8
GPP1_RX0N	F11
GPP1_RX0P	E11
GPP1_RX10N	H4
GPP1_RX10P	H5
GPP1_RX11N	J5
GPP1_RX11P	J6
GPP1_RX12N	K4
GPP1_RX12P	K5
GPP1_RX13N	L5
GPP1_RX13P	L6
GPP1_RX14N	M4
GPP1_RX14P	M5
GPP1_RX15N	N5
GPP1_RX15P	N6
GPP1_RX1N	E10
GPP1_RX1P	D10
GPP1_RX2N	F9
GPP1_RX2P	E9
GPP1_RX3N	E8
GPP1_RX3P	D8

Ball Name	Ball #
GPP1_RX4N	F7
GPP1_RX4P	E7
GPP1_RX5N	E6
GPP1_RX5P	D6
GPP1_RX6N	C5
GPP1_RX6P	B5
GPP1_RX7N	D1
GPP1_RX7P	D2
GPP1_RX8N	F4
GPP1_RX8P	F5
GPP1_RX9N	G5
GPP1_RX9P	G6
GPP1_TX0N	C11
GPP1_TX0P	B11
GPP1_TX10N	H1
GPP1_TX10P	H2
GPP1_TX11N	J2
GPP1_TX11P	J3
GPP1_TX12N	K1
GPP1_TX12P	K2
GPP1_TX13N	L2
GPP1_TX13P	L3
GPP1_TX14N	M1
GPP1_TX14P	M2
GPP1_TX15N	N2
GPP1_TX15P	N3
GPP1_TX1N	B10
GPP1_TX1P	A10
GPP1_TX2N	C9
GPP1_TX2P	B9
GPP1_TX3N	B8
GPP1_TX3P	A8
GPP1_TX4N	C7
GPP1_TX4P	B7
GPP1_TX5N	B6

Ball Name	Ball #
GPP1_TX5P	A6
GPP1_TX6N	B4
GPP1_TX6P	A4
GPP1_TX7N	E2
GPP1_TX7P	E3
GPP1_TX8N	F1
GPP1_TX8P	F2
GPP1_TX9N	G2
GPP1_TX9P	G3
GPP2_REFCLKN	U8
GPP2_REFCLKP	V8
GPP2_RX0N	P4
GPP2_RX0P	P5
GPP2_RX1N	R5
GPP2_RX1P	R6
GPP2_RX2N	T4
GPP2_RX2P	T5
GPP2_RX3N	U5
GPP2_RX3P	U6
GPP2_RX4N	V4
GPP2_RX4P	V5
GPP2_RX5N	W5
GPP2_RX5P	W6
GPP2_RX6N	Y4
GPP2_RX6P	Y5
GPP2_RX7N	AA5
GPP2_RX7P	AA6
GPP2_TX0N	P1
GPP2_TX0P	P2
GPP2_TX1N	R2
GPP2_TX1P	R3
GPP2_TX2N	T1
GPP2_TX2P	T2
GPP2_TX3N	U2
GPP2_TX3P	U3

Ball Name	Ball #
GPP2_TX4N	V1
GPP2_TX4P	V2
GPP2_TX5N	W2
GPP2_TX5P	W3
GPP2_TX6N	Y1
GPP2_TX6P	Y2
GPP2_TX7N	AA2
GPP2_TX7P	AA3
GPP3_REFCLKN	AA14
GPP3_REFCLKP	AA15
GPP3_RX0N	AG20
GPP3_RX0P	AH20
GPP3_RX1N	AC19
GPP3_RX1P	AD19
GPP3_RX2N	AD18
GPP3_RX2P	AE18
GPP3_RX3N	AC17
GPP3_RX3P	AD17
GPP3_RX4N	AD16
GPP3_RX4P	AE16
GPP3_RX5N	AC15
GPP3_RX5P	AD15
GPP3_TX0N	AF19
GPP3_TX0P	AG19
GPP3_TX1N	AG18
GPP3_TX1P	AH18
GPP3_TX2N	AF17
GPP3_TX2P	AG17
GPP3_TX3N	AG16
GPP3_TX3P	AH16
GPP3_TX4N	AF15
GPP3_TX4P	AG15
GPP3_TX5N	AG14
GPP3_TX5P	AH14
HT_REFCLKN	J21
HT_REFCLKP	K21

Ball Name	Ball #
HT_RXCAD0N	AD27
HT_RXCAD0P	AD28
HT_RXCAD10N	AB24
HT_RXCAD10P	AB25
HT_RXCAD11N	AA23
HT_RXCAD11P	AA24
HT_RXCAD12N	W23
HT_RXCAD12P	W24
HT_RXCAD13N	V24
HT_RXCAD13P	V25
HT_RXCAD14N	U23
HT_RXCAD14P	U24
HT_RXCAD15N	T24
HT_RXCAD15P	T25
HT_RXCAD1N	AC26
HT_RXCAD1P	AC27
HT_RXCAD2N	AB27
HT_RXCAD2P	AB28
HT_RXCAD3N	AA26
HT_RXCAD3P	AA27
HT_RXCAD4N	W26
HT_RXCAD4P	W27
HT_RXCAD5N	V27
HT_RXCAD5P	V28
HT_RXCAD6N	U26
HT_RXCAD6P	U27
HT_RXCAD7N	T27
HT_RXCAD7P	T28
HT_RXCAD8N	AD24
HT_RXCAD8P	AD25
HT_RXCAD9N	AC23
HT_RXCAD9P	AC24
HT_RXCALN	D24
HT_RXCALP	D25
HT_RXCLK0N	Y27
HT_RXCLK0P	Y28

Ball Name	Ball #
HT_RXCLK1N	Y24
HT_RXCLK1P	Y25
HT_RXCTL0N	R26
HT_RXCTL0P	R27
HT_RXCTL1N	R23
HT_RXCTL1P	R24
HT_TXCAD0N	E27
HT_TXCAD0P	E26
HT_TXCAD10N	G24
HT_TXCAD10P	G23
HT_TXCAD11N	H25
HT_TXCAD11P	H24
HT_TXCAD12N	K25
HT_TXCAD12P	K24
HT_TXCAD13N	L24
HT_TXCAD13P	L23
HT_TXCAD14N	M25
HT_TXCAD14P	M24
HT_TXCAD15N	N24
HT_TXCAD15P	N23
HT_TXCAD1N	F28
HT_TXCAD1P	F27
HT_TXCAD2N	G27
HT_TXCAD2P	G26
HT_TXCAD3N	H28
HT_TXCAD3P	H27
HT_TXCAD4N	K28
HT_TXCAD4P	K27
HT_TXCAD5N	L27
HT_TXCAD5P	L26
HT_TXCAD6N	M28
HT_TXCAD6P	M27
HT_TXCAD7N	N27
HT_TXCAD7P	N26
HT_TXCAD8N	E24
HT_TXCAD8P	E23

Ball Name	Ball #
HT_TXCAD9N	F25
HT_TXCAD9P	F24
HT_TXCALN	D27
HT_TXCALP	D28
HT_TXCLK0N	J27
HT_TXCLK0P	J26
HT_TXCLK1N	J24
HT_TXCLK1P	J23
HT_TXCTL0N	P28
HT_TXCTL0P	P27
HT_TXCTL1N	P25
HT_TXCTL1P	P24
I2C_CLK	B20
I2C_DATA	C20
LDTSTOP#	E15
NC	AB1
NC	AB2
NC	AB4
NC	AB5
NC	AC11
NC	AC13
NC	AC2
NC	AC3
NC	AC7
NC	AC9
NC	AD1
NC	AD11
NC	AD12
NC	AD13
NC	AD14
NC	AD2
NC	AD6
NC	AD7
NC	AD8
NC	AD9
NC	AE12

Ball Name	Ball #
NC	AE14
NC	AE2
NC	AE3
NC	AE6
NC	AE8
NC	AF1
NC	AF11
NC	AF13
NC	AF2
NC	AF5
NC	AF7
NC	AF9
NC	AG10
NC	AG11
NC	AG12
NC	AG13
NC	AG4
NC	AG5
NC	AG6
NC	AG7
NC	AG8
NC	AG9
NC	AH10
NC	AH12
NC	AH4
NC	AH6
NC	AH8
OSCIN	B17
PCE_BCALRN	AD20
PCE_BCALRP	AE20
PCE_RCALRN	AD10
PCE_RCALRP	AE10
PCE_TCALRN	E14
PCE_TCALRP	F14
PCIE_RESET_GPIO1	B19
PCIE_RESET_GPIO2	D17

Ball Name	Ball #
PCIE_RESET_GPIO3	D19
PCIE_RESET_GPIO4	E19
PCIE_RESET_GPIO5	E17
POWERGOOD	A17
PWM_GPIO1	E16
PWM_GPIO2	B15
PWM_GPIO3	F16
PWM_GPIO4	A15
PWM_GPIO5	C16
PWM_GPIO6	B16
SB_RX0N	AH26
SB_RX0P	AG26
SB_RX1N	AG25
SB_RX1P	AF25
SB_RX2N	AE22
SB_RX2P	AD22
SB_RX3N	AD21
SB_RX3P	AC21
SB_TX0N	AH24
SB_TX0P	AG24
SB_TX1N	AG23
SB_TX1P	AF23
SB_TX2N	AG21
SB_TX2P	AF21
SB_TX3N	AH22
SB_TX3P	AG22
STRP_DATA	E21
SYSRESET#	D15
TESTMODE	A19
THERMALDIODE_N	AA21
THERMALDIODE_P	Y21
VDD18	A18
VDD18	B18
VDD18	C18
VDD18	D18
VDD18	E18

Ball Name	Ball #
VDDA18HTPLL	G21
VDDA18PCIE	A12
VDDA18PCIE	A13
VDDA18PCIE	B12
VDDA18PCIE	B13
VDDA18PCIE	C12
VDDA18PCIE	C13
VDDA18PCIE	D12
VDDA18PCIE	D13
VDDA18PCIE	E12
VDDA18PCIE	E13
VDDA18PCIE	F12
VDDA18PCIE	F13
VDDA18PCIE	G12
VDDA18PCIE	G13
VDDA18PCIE	G14
VDDA18PCIE	H12
VDDA18PCIE	H13
VDDA18PCIE	H14
VDDA18PCIE	L11
VDDA18PCIE	V11
VDDA18PCIE	V18
VDDC	L14
VDDC	L16
VDDC	M13
VDDC	M15
VDDC	N12
VDDC	N14
VDDC	N16
VDDC	P13
VDDC	P15
VDDC	P17
VDDC	R12
VDDC	R14
VDDC	R16
VDDC	T13

Ball Name	Ball #
VDDC	T15
VDDC	T17
VDDC	U14
VDDC	U16
VDDHT	AA22
VDDHT	AB22
VDDHT	AC22
VDDHT	AD23
VDDHT	AE24
VDDHT	AE25
VDDHT	AE26
VDDHT	AE27
VDDHT	AE28
VDDHT	AF27
VDDHT	K22
VDDHT	L21
VDDHT	M22
VDDHT	N21
VDDHT	P22
VDDHT	R21
VDDHT	T22
VDDHT	U21
VDDHT	V22
VDDHT	W21
VDDHT	Y22
VDDHTTX	C24
VDDHTTX	C25
VDDHTTX	C26
VDDHTTX	C27
VDDHTTX	C28
VDDHTTX	D22
VDDHTTX	D23
VDDHTTX	E22
VDDHTTX	F22
VDDHTTX	G22
VDDHTTX	H22

Ball Name	Ball #
VDDPCIE	A3
VDDPCIE	AA10
VDDPCIE	AA12
VDDPCIE	AA16
VDDPCIE	AA18
VDDPCIE	AA8
VDDPCIE	AB11
VDDPCIE	AB13
VDDPCIE	AB15
VDDPCIE	AB17
VDDPCIE	AB19
VDDPCIE	AB7
VDDPCIE	AB9
VDDPCIE	AC6
VDDPCIE	AD5
VDDPCIE	AE4
VDDPCIE	AF3
VDDPCIE	AG2
VDDPCIE	B2
VDDPCIE	C1
VDDPCIE	C3
VDDPCIE	D4
VDDPCIE	E5
VDDPCIE	F6
VDDPCIE	G10
VDDPCIE	G7
VDDPCIE	G8
VDDPCIE	H11
VDDPCIE	H7
VDDPCIE	H9
VDDPCIE	K7
VDDPCIE	L8
VDDPCIE	M7
VDDPCIE	N8
VDDPCIE	P7
VDDPCIE	R8

Ball Name	Ball #
VDDPCIE	T7
VDDPCIE	V7
VDDPCIE	W8
VDDPCIE	Y7
VSS	A11
VSS	A14
VSS	A16
VSS	A20
VSS	A22
VSS	A24
VSS	A26
VSS	A5
VSS	A7
VSS	A9
VSS	AA1
VSS	AA11
VSS	AA13
VSS	AA17
VSS	AA19
VSS	AA20
VSS	AA25
VSS	AA28
VSS	AA4
VSS	AA7
VSS	AA9
VSS	AB10
VSS	AB12
VSS	AB14
VSS	AB16
VSS	AB18
VSS	AB20
VSS	AB21
VSS	AB23
VSS	AB26
VSS	AB3
VSS	AB6

Ball Name	Ball #
VSS	AB8
VSS	AC1
VSS	AC10
VSS	AC12
VSS	AC14
VSS	AC16
VSS	AC18
VSS	AC20
VSS	AC25
VSS	AC28
VSS	AC4
VSS	AC5
VSS	AC8
VSS	AD26
VSS	AD3
VSS	AD4
VSS	AE1
VSS	AE11
VSS	AE13
VSS	AE15
VSS	AE17
VSS	AE19
VSS	AE21
VSS	AE23
VSS	AE5
VSS	AE7
VSS	AE9
VSS	AF10
VSS	AF12
VSS	AF14
VSS	AF16
VSS	AF18
VSS	AF20
VSS	AF22
VSS	AF24
VSS	AF26

Ball Name	Ball #
VSS	AF28
VSS	AF4
VSS	AF6
VSS	AF8
VSS	AG27
VSS	AG3
VSS	AH11
VSS	AH13
VSS	AH15
VSS	AH17
VSS	AH19
VSS	AH21
VSS	AH23
VSS	AH25
VSS	AH3
VSS	AH5
VSS	AH7
VSS	AH9
VSS	B14
VSS	B27
VSS	B3
VSS	C10
VSS	C14
VSS	C15
VSS	C17
VSS	C19
VSS	C2
VSS	C21
VSS	C23
VSS	C4
VSS	C6
VSS	C8
VSS	D11
VSS	D14
VSS	D16
VSS	D20

Ball Name	Ball #
VSS	D26
VSS	D3
VSS	D5
VSS	D7
VSS	D9
VSS	E1
VSS	E20
VSS	E25
VSS	E28
VSS	E4
VSS	F10
VSS	F15
VSS	F17
VSS	F18
VSS	F19
VSS	F20
VSS	F21
VSS	F23
VSS	F26
VSS	F3
VSS	F8
VSS	G1
VSS	G11
VSS	G15
VSS	G16
VSS	G17
VSS	G18
VSS	G19
VSS	G20
VSS	G25
VSS	G28
VSS	G4
VSS	G9
VSS	H10
VSS	H15
VSS	H16

Ball Name	Ball #
VSS	H17
VSS	H18
VSS	H19
VSS	H20
VSS	H21
VSS	H23
VSS	H26
VSS	H3
VSS	H6
VSS	J1
VSS	J22
VSS	J25
VSS	J28
VSS	J4
VSS	J7
VSS	K23
VSS	K26
VSS	K3
VSS	K6
VSS	K8
VSS	L1
VSS	L12
VSS	L13
VSS	L15
VSS	L17
VSS	L18
VSS	L22
VSS	L25
VSS	L28
VSS	L4
VSS	L7
VSS	M11
VSS	M12
VSS	M14
VSS	M16
VSS	M17

Ball Name	Ball #
VSS	M18
VSS	M21
VSS	M23
VSS	M26
VSS	M3
VSS	M6
VSS	M8
VSS	N1
VSS	N11
VSS	N13
VSS	N15
VSS	N17
VSS	N18
VSS	N22
VSS	N25
VSS	N28
VSS	N4
VSS	N7
VSS	P11
VSS	P12
VSS	P14
VSS	P16
VSS	P18
VSS	P21
VSS	P23
VSS	P26
VSS	P3
VSS	P6
VSS	P8
VSS	R1
VSS	R11
VSS	R13
VSS	R15
VSS	R17
VSS	R18
VSS	R22

Ball Name	Ball #
VSS	R25
VSS	R28
VSS	R4
VSS	R7
VSS	T11
VSS	T12
VSS	T14
VSS	T16
VSS	T18
VSS	T21
VSS	T23
VSS	T26
VSS	T3
VSS	T6
VSS	T8
VSS	U1
VSS	U11
VSS	U12
VSS	U13
VSS	U15
VSS	U17
VSS	U18
VSS	U22
VSS	U25
VSS	U28
VSS	U4
VSS	U7
VSS	V12
VSS	V13
VSS	V14
VSS	V15
VSS	V16
VSS	V17
VSS	V21
VSS	V23
VSS	V26

Ball Name	Ball #
VSS	V3
VSS	V6
VSS	W1
VSS	W22
VSS	W25
VSS	W28
VSS	W4
VSS	W7
VSS	Y23
VSS	Y26
VSS	Y3
VSS	Y6
VSS	Y8

This page is left blank intentionally.

Appendix B

Revision History

Rev. 2.00 (Dec 2010)

- First release of the public version.

Rev. 2.10 (June 2011)

- Added alternate branding for ASIC A21 in Section 1.5, “Branding Diagrams.”

Rev. 2.20 (Jan 2012)

- Updated title of Figure 1-1, “SR5670 Branding Diagram for A21 Production ASIC (RoHS-compliant Part).”
- Updated Table 3-5, “Clock Interface”: Made connections of GPP[3:1]_REFCLKP/N mandatory.

This page intentionally left blank.