



Model

**A3**

1U Active Air Cooler

**PRODUCT SPECIFICATIONS**

## Table of Contents

1. PRODUCT DESCRIPTION .....	3
2. THERMAL PERFORMANCE CURVE .....	4
3. EP DRAWING .....	5
4. DM DRAWING.....	6
5. BLOWER SPECIFICATION.....	7 ~ 18
6. RoHS CERTIFICATION .....	19

## Model Number: A3

- Recommend for AMD® G34 Processor, Socket 1974
- Active Cooler for 1U

## Overall Specification

Dimension	115 x 75 x 27.5 mm
Weight	425 g
Material	Copper Skiving Fin Heatsink
Blower	7015 with Aluminum Frame
Mounting Pitch	4.1" ( 104.1 mm )
Mounting Type	Captive Screw-On
Thermal Grease	Pre-Printed with Shin-Etsu 7762
TDP	Support 115 Watts CPU Power Heat Dissipation

## Cooling Blower Specification

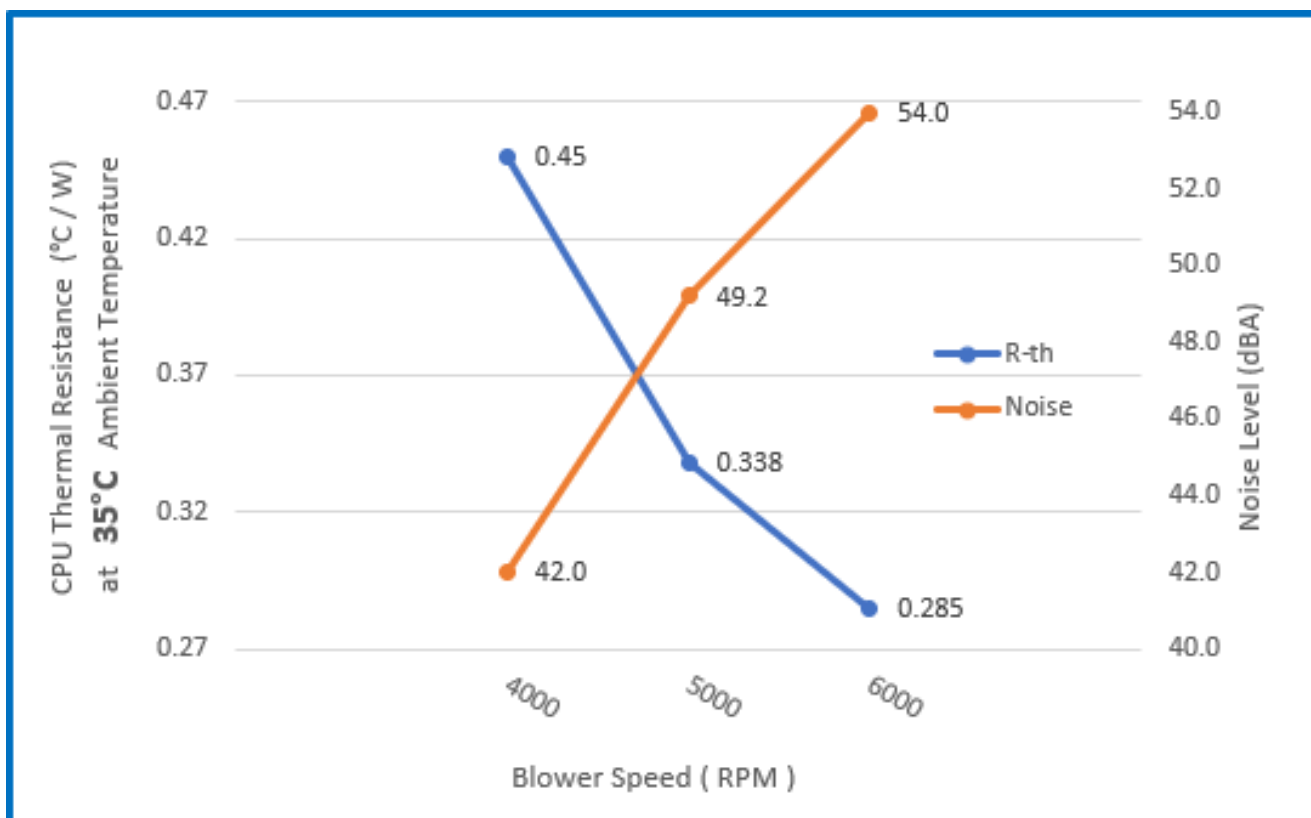
Dimension	Ø 70 x 15 mm
Bearing	Ball Bearing, Dual
Rated Voltage	12V
Rated Speed	6000 RPM +/- 10%
Input Power	8.4 W
Maximum Airflow	13.11 CFM
Rated Static Pressure	46.12 mm-H2O
Acoustical Noise	51.4 dBA

**A3| Socket G34**

Lead Wire Pin Out	Pin#1- Black (-) Pin#2- Red (+) Pin#3- White (Tachometer/ Signal Output)
-------------------	--

## Active Cooler Model A3 Cooling Performance Curve

### Thermal Resistance VS. Blower Speed



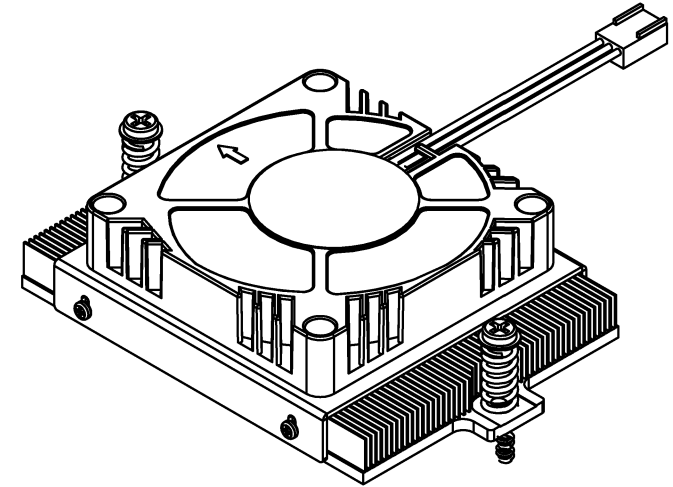
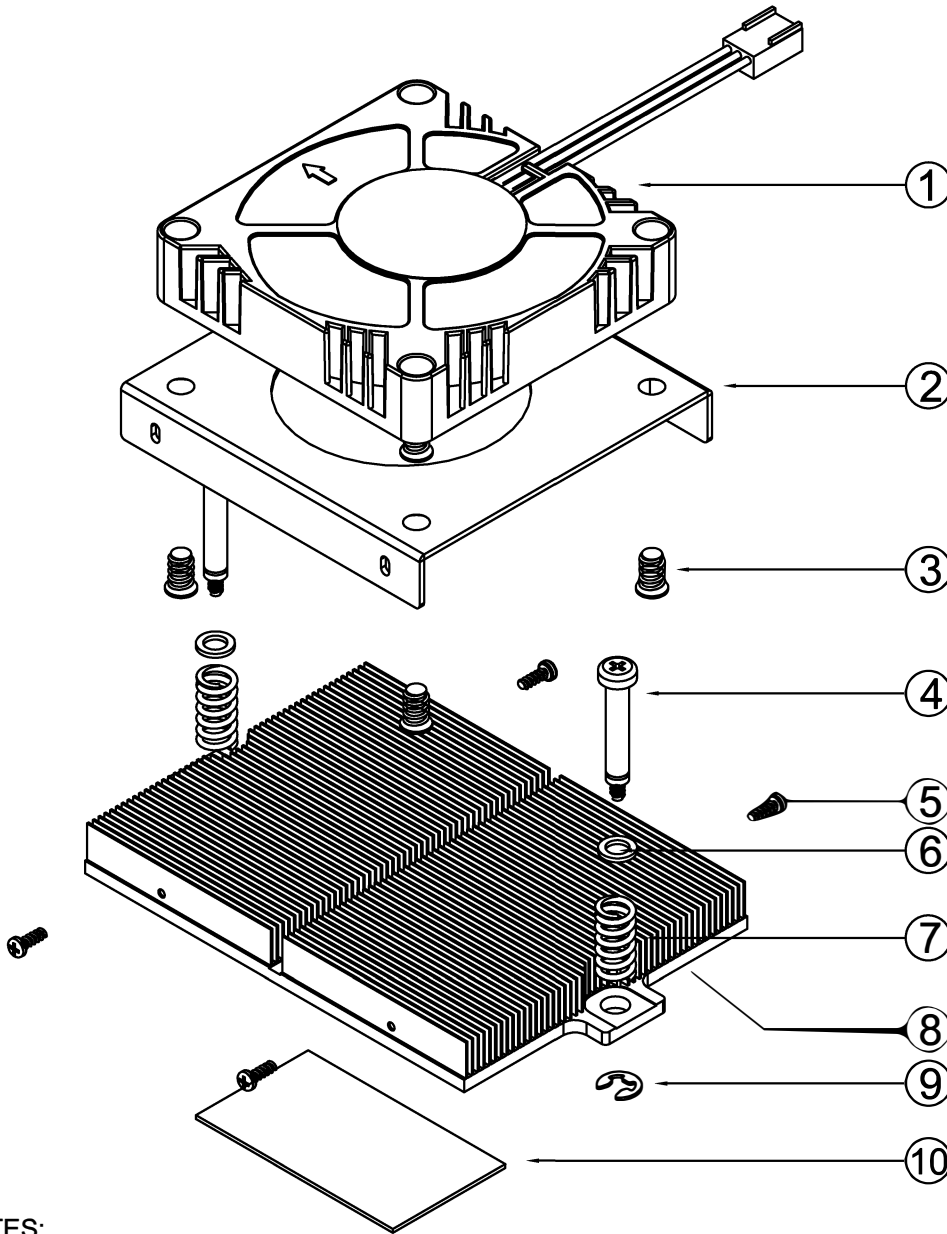
**CONFIDENTIAL DOCUMENT**

THIS DRAWING CONTAINS INFORMATION PROPRIETARY TO DYNATRON CORPORATION AND DYNAEON INDUSTRIAL CO., LTD. ANY REPRODUCTION, DISCLOSURE, OR USE OF THIS DRAWING IS EXPRESSLY PROHIBITED EXCEPT AS DYNATRON CORPORATION AND DYNAEON INDUSTRIAL CO., LTD. MAY OTHERWISE AGREE TO IN WRITING.

**ASSEMBLY PARTS**

ITEM#	DESCRIPTION	CHECKER	DATE
01	INITIAL RELEASE	LANG	02/17/2010

**WHOLE SET OF COOLER**



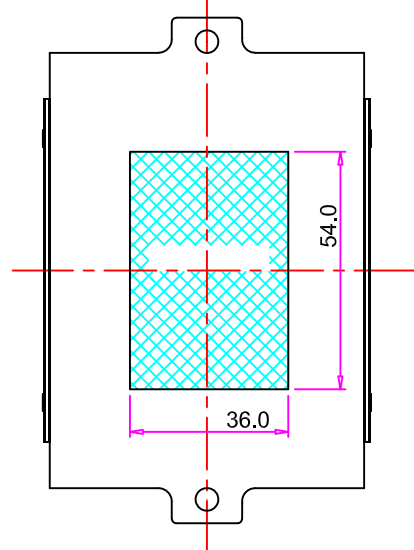
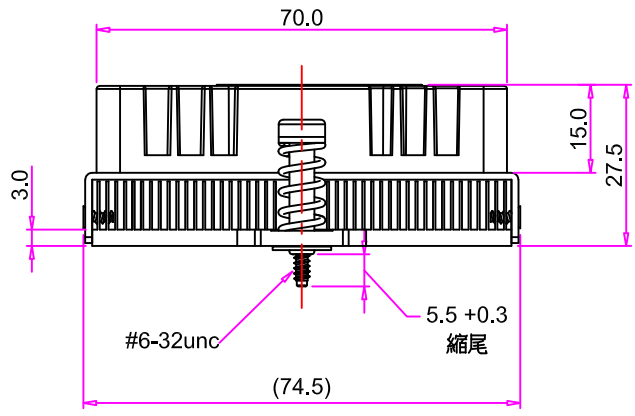
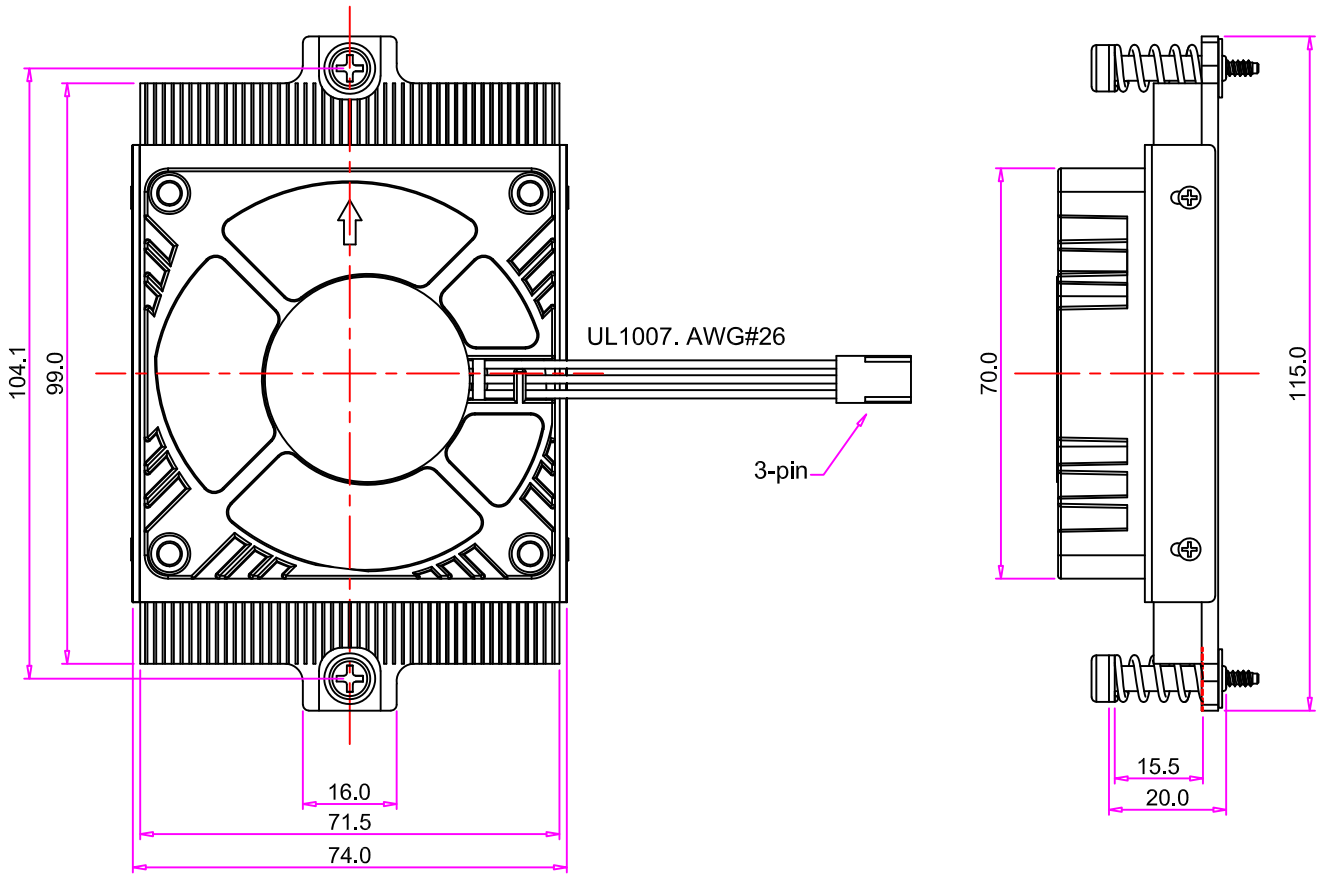
**NOTES:**

1. THE FIGURE IS FOR REFERENCE ONLY, AND NOT FOR SCALE
2. OVERALL DIMENSION : 115.0 x 74.5 x 27.5 mm
3. OVERALL WEIGHT : 425 g

10	Thermal Grease, Pre-Print	Shin Etsu 7762	1
9	E-Clip	Steel	2
8	Heatsink	Copper 1100	1
7	Spring, Ø1.4mm Wire	Plastic	2
6	Washer	Steel	2
5	Screw, Cover to Heatsink	Steel	4
4	Screw, Heatsink Mounting	Steel	2
3	Screw, Blower to Cover	Steel	4
2	Cover, Blower	Aluminum	1
1	Blower, DB127015BU-3P	Aluminum	1

Item#	Description	Material	QTY.
DATE		NAME	
02/17/2010		Engr	
CHECKED		TITLE:	
02/17/2010		1U Active Cooler <b>A3</b>	
ENGL APPR.		BOM & Exploded Assembly Drawing	
MFG APPR.		DWG. No:	
QA		DYN-EP-A3	
COMMENTS		REV	
		00	

ITEM#	DESCRIPTION	CHECKER	DATE
1	Initial Release	LANG	02/17/10



Bottom Surface  
Thermal Grease Pre-Print Zone  
Scale 3/4 : 1

	NAME	DATE
DRAWN BY	Engr.	02/17/2010
CHECKED BY	LANG	02/17/2010
ENG.APPROVED		
MFG.APPROVED	-	-


**DYNATRON CORPORATION**  
 TOP MOTOR

**TITLE: 1U Passive Heatsink A3**  
**Overall Dimension Drawing**

**CONFIDENTIAL DOCUMENT**

THIS DRAWING CONTAINS INFORMATION PROPRIETARY TO DYNATRON CORPORATION AND DYNAEDN INDUSTRIAL CO., LTD. ANY REPRODUCTION, DISCLSURE, OR USE OF THIS DRAWING IS EXPRESSLY PROHIBITED EXCEPT AS DYNATRON CORPORATION AND DYNAEDN INDUSTRIAL CO., LTD. MAY OTHERWISE AGREE TO IN WRITING.

VIEW		DWG. No:	REV.
UNITS	MM	<b>DYN-DM-A3</b>	<b>00</b>



# DYNATRON CORPORATION

TOP MOTOR TECHNOLOGY(HUIZHOU)CO,LTD

## Specification for Approval

Customer:		
Model Number:	DB127015BU	
Part Number:		
Issued Date:	Wednesday November 25,2009	
<b>Customer Approval</b>		
Approval:	Check:	
Corporate Headquarters <b>Dynatron Corporation</b> 41458 Christy Street, Fremont, California 94538, U.S.A. Tel: 510-498-8888 Fax: 510-498-8488	Manufactory <b>TOP MOTOR TECHNOLOGY(HUIZHOU)CO,LTD</b> Baishi Village, Qiuchang Town, Huiyang Dist, Huizhou City, Guangdong Province, P.R.China Tel: 86-752-353-5591 (Rep.) Fax: 86-752-353-5592	
<i>Los Angeles Office (U.S.A.)</i> 337 Paseo Sonrisa, Walnut, California 91789 U.S.A. Tel: 909-598-2222 Fax: 909-598-8158	<i>Taipei Office (Taiwan, R.O.C.)</i> 8F, No. 35, Lane:221, Gang Cian Road, Taipei, Taiwan, R.O.C. Tel: 886-2-2799-5799(Rep.) Fax: 886-2-2799-9577	
Approval:	Check:	Initiator:
Simon_wang	-	Xu yan



# DYNATRON CORPORATION

*TOP MOTOR TECHNOLOGY(HUIZHOU)CO,LTD*

CONTENTS		Page
1.	SCOPE	3
2.	ELECTRICAL CHARACTERISTICS	3
3.	MECHANICAL CHARACTERISTICS	4
4.	ENVIRONMENTAL	4
5.	PROTECTION	5
6.	ATTACHMENTS	5
	a. Product Dimension	6
	b. Frequency Generator Output	7
	c. TUV Certificate	8
	d. UL Certificate	9-12





# DYNATRON CORPORATION

## TOP MOTOR TECHNOLOGY(HUIZHOU)CO,LTD

### 1. SCOPE

This specification defines the electrical and mechanical characteristics of the  AC /  DC Brush less(Sleeve Bearing/1-Ball Bearing/2-Balls Bearing )axial flow fan, which is carefully designed and manufactured for your special needs by Dynatron Corporation.

### 2. ELECTRICAL CHARACTERISTICS

Items		Description
1.	Rated Voltage	DC 12 V
2.	Operating Voltage	10.2 V ~ 13.8 V
3.	Start Voltage	7V
4.	Air Flow – At rated voltage zero static pressure (minimal value)	0.371 m <sup>3</sup> / min (13.11CFM)
5.	Static Pressure – At rated voltage At zero air flow	46.121 mm-H <sub>2</sub> O (1.816inch-H <sub>2</sub> O)
6.	Input Current (Max.)	0.7A
7.	Speed (Max.)	6000RPM ±10%
8.	Acoustical Noise	51.1dBA
9.	Input Power	8.4W
10.	Insulation Resistance – Between Frame and Terminal	10 M ohm at DC 500 V
11.	Dielectric Strength – Between Frame and Terminal	5 mA (Max.) @ AC 500 V 60 Hz 1 min.
12.	Life – Continuous operating under normal temperature ( 40°C or 104°F)	70,000 hours
13.	Rotation	Clockwise Air Discharged
14.	Autorestart Time	3-5sec
15.	Lead Wires	UL 1007, awg 28or Equivalent “-”: Black; “+”: Red;”s”: White.



# DYNATRON CORPORATION

## TOP MOTOR TECHNOLOGY(HUIZHOU)CO,LTD

### 3. MECHANICAL CHARACTERISTICS

Items		Description
1.	Dimension	Display as Drawing
2.	Frame	aluminium
3.	Impeller	PBT UL94V-0 (Black)
4.	Bearing System	Two balls Bearing
5.	Weight	60±10grams

### 4. ENVIRONMENTAL

Items		Description
1.	Operating Temperature	- 10 °C ~ + 65 °C (65 %RH)
2.	Storage Temperature	- 30 °C ~ + 70 °C (65 %RH)
3.	Vibration Test	Motor withstands 1000 rpm vibrating with 2 mm amplitude for 30 minutes up and down, right and left, back and forth directions.
4.	Drop Test	Motor withstands one free body drop from 30 cm in high onto 10 mm thickness of wooden board for each of the three faces in minimum packing condition.
5.	Acoustic Noise	51.1dBA – Curve (Max 52.9dBA) Measuring Condition – Under rated voltage in semi-anechoic chamber equipment sound level meter. (Figure A.)

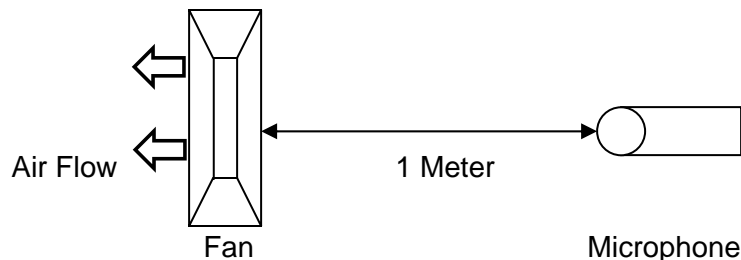


Figure A – Noise Level is measure at rated voltage in anechoic chamber in free air as above.

### 5. PROTECTION



# DYNATRON CORPORATION

*TOP MOTOR TECHNOLOGY(HUIZHOU)CO,LTD*

Items		Description
1.	Polarity Protection	For polarity error connection to power, the circuit withstands reversed connection between positive and negative leads.
2.	Locked Rotor Protection	Motor winding protects the motor from damage in 72 hours of locked rotor condition at rated voltage.

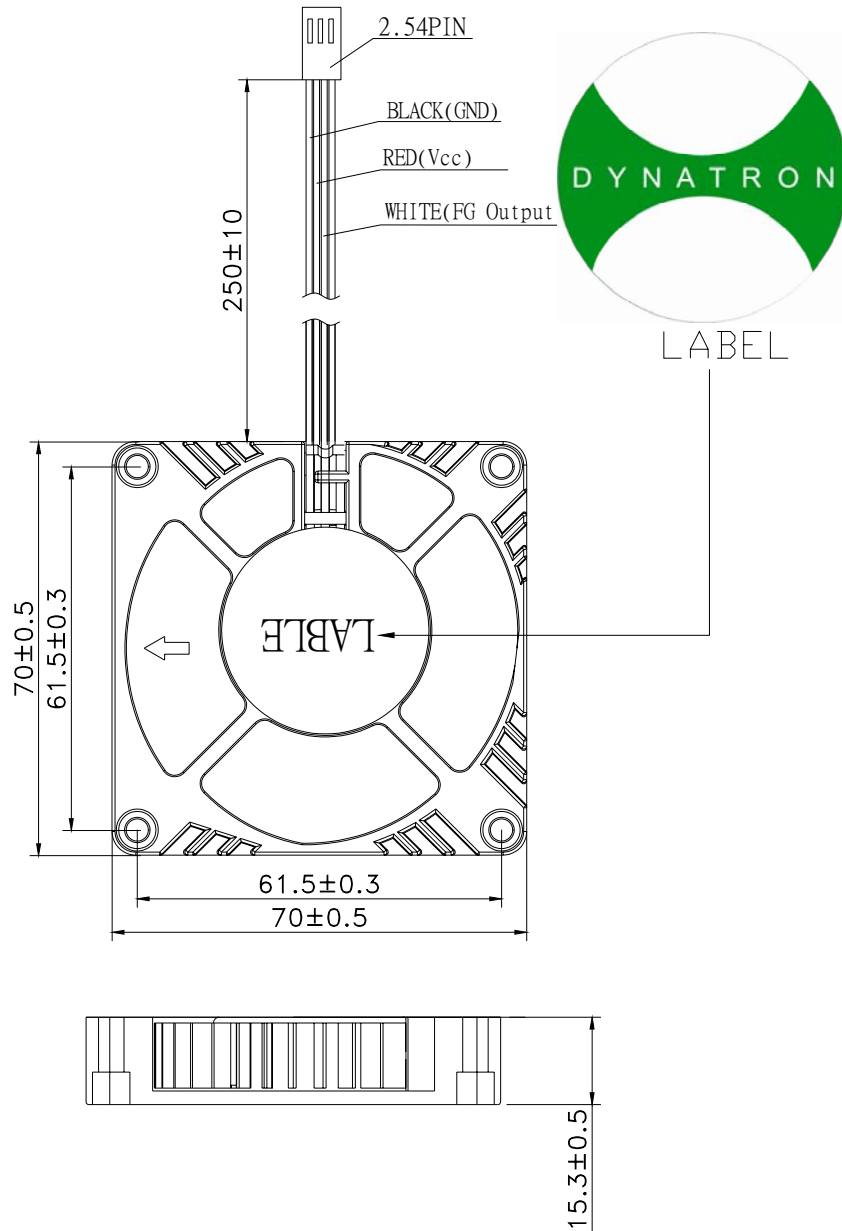
- 6. ATTACHMENTS
  - a. Product Dimension
  - b. Frequency Generator Output
  - c. TUV Certificate
  - d. UL Certificate



# DYNATRON CORPORATION

TOP MOTOR TECHNOLOGY(HUIZHOU)CO,LTD

## DI MENS I ONS



UNI T: MM

LEAD W RE: 1007 28AWG 105°C 300V UL, CSA APPROVAL



TOP MOTOR

TOP MOTOR TECHNOLOGY  
(HUI ZHOU) CO, LTD

DB127015XX

Drawing Type Dimensions

Tolerance	Vide Supra	Approval	Wang hui
Unit	mm	Check	Ye liang
Edition	1.0	Initiator	Xu yan
Remark		Date	2009/11/25



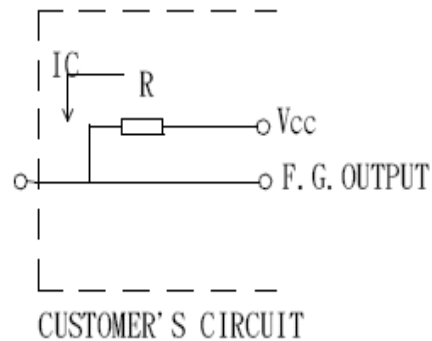
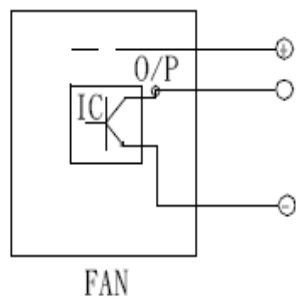
# DYNATRON CORPORATION

## TOP MOTOR TECHNOLOGY(HUIZHOU)CO,LTD

### FREQUENCY GENERATOR OUTPUT(Tack Out)

3<sup>rd</sup> WIRD Square Wave Signal is Amplified by a transistor (open collector type)  
 Frequency generator function is activated by an internal IC for customer's application.

Electrical schematic:



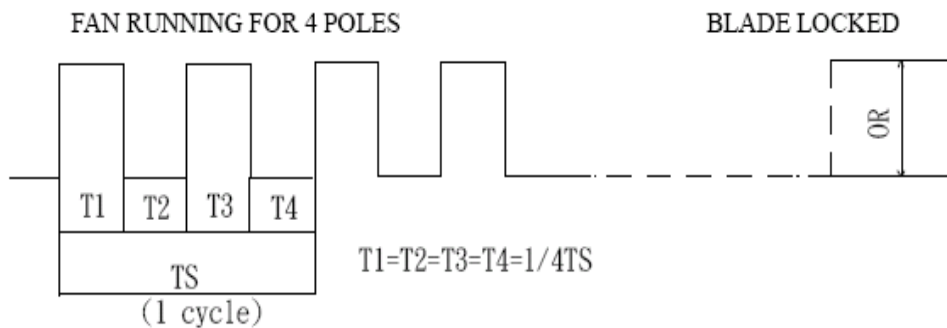
### CUSTOMER'S CIRCUIT

Vcc=From+5 To+28 VDC(Generally using+12or+24 VDC)

Ic=2mA max.

$R=V/I$ (OUTPUT "R" value calculation)

Frequency generator waveform:



$TS=60/N(\text{sec})$

N=R.P.M. (Rotation speed will be different by various model L/M/H)



# DYNATRON CORPORATION

## TOP MOTOR TECHNOLOGY(HUIZHOU)CO,LTD

### Zertifikat

### Certificate



Zertifikat Nr. *Certificate No.*  
R 50064443

Blatt *Page*  
0002

Ihr Zeichen <i>Client Reference</i>	Unser Zeichen <i>Our Reference</i>	Ausstellungsdatum	<i>Date of Issue</i> (day/mo/yr)
PC/DTI	ZTW1-TCC- 10013649 002	11.11.2005	

**Genehmigungsinhaber *License Holder***  
Dynaeon Industrial Co., Ltd.  
1st Fl., No. 362, Tanan Rd.  
Taipei 111  
Taiwan, R.O.C.

**Fertigungsstätte *Manufacturing Plant***  
Dynaeon Ind. Co., Ltd.  
Ta-Li Management Zone  
Ching-Hsi, Dongguan  
P.R. China

#### Prüfzeichen *Test Mark*

Geprüft nach *Tested acc. to*  
EN 60950-1:2001+A11



Zertifiziertes Produkt (Geräteidentifikation)  
*Certified Product (Product Identification)*

Lizenzentgelte - Einheit  
*License Fee - Unit*

Ventilator (DC Fan)

wie Blatt (as page) 01

Ergänzung (Addition)

Bezeichnung : DF(X1)(X2)(X3)(X4)(X5)ZZZZZ-(X6)  
(Type Designation)  
(X1) steht für (stands for) : 05, 12, 24  
(X2) steht für (stands for) : 40, 50, 60, 70, 80  
(X3) steht für (stands for) : 10, 15, 20  
(X4) steht für (stands for) : S, B, P, Q  
(X5) steht für (stands for) : U, H, M, L, E  
Z steht für (stands for) : A-Z, 0-9 oder freibleibend  
(or blank)

(X6) steht für (stands for) : A, B  
Nennspannung : DC 5V (X1 = 05); DC 12V (X1 = 12)  
(Rated Voltage) DC 24V (X1 = 24)  
Nennstrom : siehe Aufbau-Übersicht  
(Rated Current) (see constructional dataform)



ANLAGE (Appendix): 1.1

*Dem Zertifikat liegt unsere Prüf- und Zertifizierungsverordnung zugrunde.  
Das Produkt entspricht den o.g. Anforderungen, die Herstellung wird überwacht.  
This certificate is based on our Testing and Certification Regulation. The product  
fulfills above-mentioned-requirements, the production is subject to surveillance.*

Zertifizierungsstelle

TÜV Rheinland Product Safety GmbH, Am Grauen Stein, D-51105 Köln

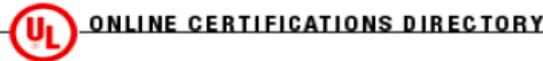
Tel.:(+49/221)8 06 - 13 71 Fax:(+49/221)8 06 - 39 35 e-mail: Althoff@gde.tuv.com

Dipl.-Ing. F. Stöckel



# DYNATRON CORPORATION

## TOP MOTOR TECHNOLOGY(HUIZHOU)CO,LTD



### GPWV2.E157868

#### Fans, Electric - Component

[Page Bottom](#)

### Fans, Electric - Component

[See General Information for Fans, Electric - Component](#)

**DYNAEON INDUSTRIAL CO LTD**  
8TH FL 35 LANE 221 GANGCIAN RD  
NEIHU DIST  
TAIPEI, 114 TAIWAN

E157868

**DC fans**, Models D(F)1206(Z)(Y1)(X1), D(F)1207(Z)(Y1)(X1), where (F) may be F or C, (Z) may be SH, BH, BA, SM, BM, BB, SL, BL, BC, SD, BE, BF, SG, BI, BJ, SK, BN, BO, SP, BQ, BR, SS, BT, BU, SV, BW, BX, SY, BY or BZ, (Y1) may be "-", 0 through 9 or A through Z, (X1) may be 0 through 9 or A through Z.

Models DF248015(S)(X)(Y)(Z)(W), DF488015(S)(X)(Y)(Z)(W), where (S) may be S, B or P, (X) may be U, H, M or L, (Y) and (Z) may be any alphanumeric character, blank, "-" or any symbol, (W) may be seven any alphanumeric character, blank, "-" or any symbol.

Models DF121225(A)(B)(C), DF121225(A)E(C), DF241225(A)(B)(C), DF128015(A)U(C), DF128015(A)(B)(C), DF128025(A)U(C), DF128025(A)(B)(C), DF128025(A)E(C), DF248025(A)U(C), DF248025(A)(B)(C), DF129225(A)(B)(C), DF129225(A)E(C), DF249225(A)U(C), DF249225(A)(B)(C), DF126010(A)(B)(C), DF246025(A)U(C), DF246025(A)(B)(C), DF126025(A)U(C), DF126025(A)(B)(C), DF126025(A)E(C), DB126015BU(C), DB126015B(B)(C), DF123010(A)(B)(C), DF053010(A)(B)(C), DF127015(A)U(C), DF127015(A)(B)(C), DF245010(A)(B)(C), where (A) may be S, B, P or Q, (B) may be H, M or L, (C) may be xxxxxxxx, where x may be A through Z, 0 through 9, "-" or blank.

Models DF122510(X)(Y2)(Z)-(M), DF124020(X)(Y2)(Z)-(M), DF244020(X)(Y1)(Z)-(M), DF126025(X)(Y3)(Z)-(M), DF246025(X)(Y3)(Z)-(M), DF121225(X)(Y1)(Z)-(M), DF124028(X)(Y3)(Z)-(M), where (X) may be S, B, P, Q, (Y1) may be H, M or L, (Y2) may be U, H, M or L, (Y3) may be U, H, M, L or E, (Z) is alphanumeric combination of five digits and/or alphabets, may be A through Z, 0 through 9 or blank, (M) may be A or B.

Models DF054010(X)(Y2)(Z1)(Z2)-A, DF054010(X)L(Z1)(Z2)-B, DF124010(X)(Y2)(Z1)(Z2)-A, DF124010(X)L(Z1)(Z2)-B, DF244010(X)(Y2)(Z1)(Z2)-A, DF125015(X)(Y1)(Z1)(Z2)-A, DF125020(X)(Y3)(Z1)(Z2)-A, DF126015(X)(Y1)(Z1)(Z2)-A, DF246015(X)M(Z1)(Z2)-A, DF246015(X)L(Z1)(Z2)-A, DF128020(X)(Y1)(Z1)(Z2)-A, DF128020(X)L(Z1)(Z2)-B, DB127015(X)(Y2)(Z)-A series, where (X) may be S, B, P, Q, (Y1) may be H, M or L, (Y2) may be U, H, M or L, (Y3) may be H, M, L or E, (Z1) may be blank or 3, (Z2) is alphanumeric combination of four digits and/or alphabets, may be A through Z, 0 through 9 or blank, (Z) is alphanumeric combination of five digits and/or alphabets, may be A through Z, 0 through 9 or blank.

Models DF125010(X)(Y)(Z)-A, DF126020(X)(Y)(Z)-A, DF246020(X)(Y)(Z)-A, DF121525(X)(Y1)(Z)-A, DF121525(X)(Y2)(Z)-B series, Where (X) may be S, B, P or Q, (Y) may be H, M or L, (Y1) may be U, H or M, (Y2) may be L or E, (Z) is alphanumeric combination of five digits and/or alphabets, may be A through Z, 0 through 9 or blank.

Models DF128025(X)(a)(Y)-A, DF121225(X)(b)(Y)-C, DF121225(X)E(Y)-C, DF127720(X)(a)(Y)-A, DF121425(X)(c)(Y)-A, DF126010(X)E(Y)-A series, where (X) may be S, B, P, Q, (a) may be H, M, L or E, (b) may be M or L, (c) may be U, H, M, L or E, (Y) is alphanumeric combination of five digits and/or alphabets, may be A through Z, 0 through 9 or blank.

Models DF054010(X)(Y1)(Z1)(Z2)-C, DF124010(X)(Y2)(Z1)(Z2)-C, DF244010(X)(Y2)(Z1)(Z2)-C, DF124020BU(Z1)(Z2)-C, DF124020(X)(Y1)(Z1)(Z2)-C, DF124028BU(Z1)(Z2)-C, DF124028(X)(Y1)(Z1)(Z2)-C, DF126025BU(Z1)(Z2)-C, DF126025(X)(Y1)(Z1)(Z2)-C, DF127015BU(Z1)(Z2)-A, DF127015(X)(Y1)(Z1)(Z2)-A, DF128025BU(Z1)(Z2)-B, DF128025(X)(Y1)(Z1)(Z2)-B, DF129225BU(Z1)(Z2)-A, DF129225(X)(Y1)(Z1)(Z2)-A, DF121225BU(Z1)(Z2)-D, DF121225(X)(Y1)(Z1)(Z2)-D, DF121425(X)(Y1)(Z1)(Z2)-B, DB127015BU(Z1)(Z2)-B, DB127015(X)(Y1)(Z1)(Z2)-B, DB058015(X)(Y3)(Z1)(Z2)-A, where (X) may be S, B, P or Q, where (Y1) may be H, M, L or E, where (Y2) may be U, H, M, L or E, where (Y3) may be M or L, where (Z1) may be blank or 3, where (Z2) may be is alphanumeric combination of four digits and/or alphabets, may be A through Z, 0 through 9 or blank.

Models DB128015(X)(Y1)-(Z)-A, DF128038(X)(Y1)-(Z)-A, DB121225(X)(Y2)-(Z)-A, DF054010(X)(Y2)-(Z)-D, DF124010(X)(Y3)-(Z)-D, DF244010(X)(Y4)-(Z)-D, DF125010(X)(Y2)-(Z)-B, DF126010(X)(Y5)-(Z)-B series, where (X) may be S, B, P, Q, (Y1) may be U, H, M, L or E, (Y2) may be H, M or L, (Y3) may be U, H, M, L or E, (Y4) may be U, H, M or L, (Y5) may be H, M, L or E, (Z) is alphanumeric combination of five digits and/or alphabets, may be A through Z, 0 through 9 or blank.

**Electric fans**, Models DC0504, -1204, -1205, -1206, DF1204, -1208, -2408, -0504, -0505, -1205, -2406 followed by "S" or



# DYNATRON CORPORATION

## TOP MOTOR TECHNOLOGY(HUIZHOU)CO,LTD

"B", followed by two alphanumeric characters.

**Low voltage fans**, Models DB1206, DF1209, -1212, -2409, DH1204 followed by B or S, followed by two alphanumeric characters.



Marking: Company name or trademark ~~TOP MOTOR~~ and model designation.

Last Updated on 2008-02-18

---

[Questions?](#)

[Notice of Disclaimer](#)

[Page Top](#)

Copyright © 2009 Underwriters Laboratories Inc.®

The appearance of a company's name or product in this database does not in itself assure that products so identified have been manufactured under UL's Follow-Up Service. Only those products bearing the UL Mark should be considered to be Listed and covered under UL's Follow-Up Service. Always look for the Mark on the product.

UL permits the reproduction of the material contained in the Online Certification Directory subject to the following conditions: 1. The Guide Information, Designs and/or Listings (files) must be presented in their entirety and in a non-misleading manner, without any manipulation of the data (or drawings). 2. The statement "Reprinted from the Online Certifications Directory with permission from Underwriters Laboratories Inc." must appear adjacent to the extracted material. In addition, the reprinted material must include a copyright notice in the following format: "Copyright © 2009 Underwriters Laboratories Inc.®"

*An independent organization working for a safer world with integrity, precision and knowledge.*







# DYNATRON CORPORATION

## TOP MOTOR TECHNOLOGY(HUIZHOU)CO,LTD



ONLINE CERTIFICATIONS DIRECTORY

**GPWV8.E157868**

**Fans, Electric Certified for Canada - Component**

[Page Bottom](#)

**Fans, Electric Certified for Canada - Component**

[See General Information for Fans, Electric Certified for Canada - Component](#)

**DYNAEON INDUSTRIAL CO LTD**

E157868

8TH FL 35 LANE 221 GANGCIAN RD

NEIHU DIST

TAIPEI, 114 TAIWAN

**DC fans**, Models D(F)1206(Z)(Y1)(X1), D(F)1207(Z)(Y1)(X1), where (F) may be F or C, (Z) may be SH, BH, BA, SM, BM, BB, SL, BL, BC, SD, BE, BF, SG, BI, BJ, SK, BN, BO, SP, BQ, BR, SS, BT, BU, SV, BW, BX, SY, BY or BZ, (Y1) may be "-", 0 through 9 or A through Z, (X1) may be 0 through 9 or A through Z.

Models DF248015(S)(X)(Y)(Z)(W), DF488015(S)(X)(Y)(Z)(W), where (S) may be S, B or P, (X) may be U, H, M or L, (Y) and (Z) may be any alphanumeric character, blank, "-" or any symbol, (W) may be seven any alphanumeric character, blank, "-" or any symbol.

Models DF121225(A)(B)(C), DF121225(A)E(C), DF241225(A)(B)(C), DF128015(A)U(C), DF128015(A)(B)(C), DF128025(A)U(C), DF128025(A)(B)(C), DF128025(A)E(C), DF248025(A)U(C), DF248025(A)(B)(C), DF129225(A)(B)(C), DF129225(A)E(C), DF249225(A)U(C), DF249225(A)(B)(C), DF126010(A)(B)(C), DF246025(A)U(C), DF246025(A)(B)(C), DF126025(A)U(C), DF126025(A)(B)(C), DF126025(A)E(C), DB126015BU(C), DB126015B(B)(C), DF123010(A)(B)(C), DF053010(A)(B)(C), DF127015(A)U(C), DF127015(A)(B)(C), DF245010(A)(B)(C), where (A) may be S, B, P or Q, (B) may be H, M or L, (C) may be xxxxxxxx, where x may be A through Z, 0 through 9, "-" or blank.

Models DF122510(X)(Y2)(Z)-(M), DF124020(X)(Y2)(Z)-(M), DF244020(X)(Y1)(Z)-(M), DF126025(X)(Y3)(Z)-(M), DF246025(X)(Y3)(Z)-(M), DF121225(X)(Y1)(Z)-(M), DF124028(X)(Y3)(Z)-(M), where (X) may be S, B, P, Q, (Y1) may be H, M or L, (Y2) may be U, H, M or L, (Y3) may be U, H, M, L or E, (Z) is alphanumeric combination of five digits and/or alphabets, may be A through Z, 0 through 9 or blank, (M) may be A or B.

Models DF054010(X)(Y2)(Z1)(Z2)-A, DF054010(X)L(Z1)(Z2)-B, DF124010(X)(Y2)(Z1)(Z2)-A, DF124010(X)L(Z1)(Z2)-B, DF244010(X)(Y2)(Z1)(Z2)-A, DF125015(X)(Y1)(Z1)(Z2)-A, DF125020(X)(Y3)(Z1)(Z2)-A, DF126015(X)(Y1)(Z1)(Z2)-A, DF246015(X)M(Z1)(Z2)-A, DF246015(X)L(Z1)(Z2)-A, DF128020(X)(Y1)(Z1)(Z2)-A, DF128020(X)L(Z1)(Z2)-B, DB127015(X)(Y2)(Z)-A series, where (X) may be S, B, P, Q, (Y1) may be H, M or L, (Y2) may be U, H, M or L, (Y3) may be H, M, L or E, (Z1) may be blank or 3, (Z2) is alphanumeric combination of four digits and/or alphabets, may be A through Z, 0 through 9 or blank, (Z) is alphanumeric combination of five digits and/or alphabets, may be A through Z, 0 through 9 or blank.

Models DF125010(X)(Y)(Z)-A, DF126020(X)(Y)(Z)-A, DF246020(X)(Y)(Z)-A, DF121525(X)(Y1)(Z)-A, DF121525(X)(Y2)(Z)-B series, Where (X) may be S, B, P or Q, (Y) may be H, M or L, (Y1) may be U, H or M, (Y2) may be L or E, (Z) is alphanumeric combination of five digits and/or alphabets, may be A through Z, 0 through 9 or blank.

Models DF128025(X)(a)(Y)-A, DF121225(X)(b)(Y)-C, DF121225(X)E(Y)-C, DF127720(X)(a)(Y)-A, DF121425(X)(c)(Y)-A, DF126010(X)E(Y)-A series, where (X) may be S, B, P, Q, (a) may be H, M, L or E, (b) may be M or L, (c) may be U, H, M, L or E, (Y) is alphanumeric combination of five digits and/or alphabets, may be A through Z, 0 through 9 or blank.

Models DF054010(X)(Y1)(Z1)(Z2)-C, DF124010(X)(Y2)(Z1)(Z2)-C, DF244010(X)(Y2)(Z1)(Z2)-C, DF124020BU(Z1)(Z2)-C, DF124020(X)(Y1)(Z1)(Z2)-C, DF124028BU(Z1)(Z2)-C, DF124028(X)(Y1)(Z1)(Z2)-C, DF126025BU(Z1)(Z2)-C, DF126025(X)(Y1)(Z1)(Z2)-C, DF127015BU(Z1)(Z2)-A, DF127015(X)(Y1)(Z1)(Z2)-A, DF128025BU(Z1)(Z2)-B, DF128025(X)(Y1)(Z1)(Z2)-B, DF129225BU(Z1)(Z2)-A, DF129225(X)(Y1)(Z1)(Z2)-A, DF121225BU(Z1)(Z2)-D, DF121225(X)(Y1)(Z1)(Z2)-D, DF121425(X)(Y1)(Z1)(Z2)-B, DB127015BU(Z1)(Z2)-B, DB127015(X)(Y1)(Z1)(Z2)-B, DB058015(X)(Y3)(Z1)(Z2)-A, where (X) may be S, B, P or Q, where (Y1) may be H, M, L or E, where (Y2) may be U, H, M, L or E, where (Y3) may be M or L, where (Z1) may be blank or 3, where (Z2) may be is alphanumeric combination of four digits and/or alphabets, may be A through Z, 0 through 9 or blank.

Models DB128015(X)(Y1)-(Z)-A, DF128038(X)(Y1)-(Z)-A, DB121225(X)(Y2)-(Z)-A, DF054010(X)(Y2)-(Z)-D, DF124010(X)(Y3)-(Z)-D, DF244010(X)(Y4)-(Z)-D, DF125010(X)(Y2)-(Z)-B, DF126010(X)(Y5)-(Z)-B series, where (X) may be S, B, P, Q, (Y1) may be U, H, M, L or E, (Y2) may be H, M or L, (Y3) may be U, M, L or E, (Y4) may be U, H, M or L, (Y5) may be H, M, L or E, (Z) is alphanumeric combination of five digits and/or alphabets, may be A through Z, 0 through 9 or blank.

**Electric fans**, Models DC0504, -1204, -1205, -1206, DF0504, -0505, -1204, -1205, -1208, -2406, -2408 followed by "S" or



# DYNATRON CORPORATION

## TOP MOTOR TECHNOLOGY(HUIZHOU)CO,LTD

"B", followed by two alphanumeric characters.

**Low voltage fans**, Models DB1206, DF1209, -1212, -2409, DH1204 followed by B or S, followed by two alphanumeric characters.



Marking: Company name or trademark **TOP MOTOR** and model designation.

Last Updated on 2008-02-18

---

[Questions?](#)

[Notice of Disclaimer](#)

[Page Top](#)

Copyright © 2009 Underwriters Laboratories Inc.®

The appearance of a company's name or product in this database does not in itself assure that products so identified have been manufactured under UL's Follow-Up Service. Only those products bearing the UL Mark should be considered to be Listed and covered under UL's Follow-Up Service. Always look for the Mark on the product.

UL permits the reproduction of the material contained in the Online Certification Directory subject to the following conditions: 1. The Guide Information, Designs and/or Listings (files) must be presented in their entirety and in a non-misleading manner, without any manipulation of the data (or drawings). 2. The statement "Reprinted from the Online Certifications Directory with permission from Underwriters Laboratories Inc." must appear adjacent to the extracted material. In addition, the reprinted material must include a copyright notice in the following format: "Copyright © 2009 Underwriters Laboratories Inc.®"

*An independent organization working for a safer world with integrity, precision and knowledge.*





# Certificate of Environment Protection

## 環保證明書

Document Number: RH-A3-R0

<b>Customer:</b> 客戶名稱:	<b>Company:</b> <b>Address:</b> _____ <b>Phone Number:</b> _____ - _____ - _____
<b>Issue Date:</b> 發行日期:	02 / 17 / 2010
<b>Product Model Number:</b> 產品號碼:	A3


**Dynatron Corporation / Dynaeon Industrial Co., Ltd** hereby declares and certifies that all components manufactured are RoHS, ROHS2 & ROHS3 compliant according to the definitions and restrictions given by the European Union's Restriction (Directive 2002/95/EC) (Directive 2011/65/EU) & (Directive (EU) 2015/863) as known as RoHS 3, on the restriction of the use of certain Hazardous Substances in the electrical and electronic equipment.

No exemptions are claimed in order for the part to be compliant with the RoHS directive.

**Dynatron Corporation / 政久興業股份有限公司**證明所有產品,零件 (包括附屬品,包裝類) 之環境管理物質完全符合 RoHS, WEEE, 及該環保標準之規定, 並承諾遵循以上之證明.

**Dynatron Corporation / Dynaeon Industrial Co., Ltd.**

Title (職務): \_\_\_\_\_ ASSISTANT-MANAGER / 副理 \_\_\_\_\_

Signature (簽字): \_\_\_\_\_  


Date: 02/17/2010