



AMD SR5690/5670/5650 BIOS Developer's Guide

Technical Reference Manual
Rev. 3.00

P/N: 43870_sr56xx_bdg_pub_3.00
© 2010 Advanced Micro Devices, Inc.

Trademarks

AMD, the AMD Arrow logo, AMD Virtualization, AGESA, and combinations thereof, are trademarks of Advanced Micro Devices, Inc.

HyperTransport is a licensed trademark of the HyperTransport Technology Consortium.

Microsoft is a registered trademark of Microsoft Corporation.

PCI Express and PCIe are registered trademarks of PCI-SIG.

Other product names used in this publication are for identification purposes only and may be trademarks of their respective companies.

Disclaimer

The contents of this document are provided in connection with Advanced Micro Devices, Inc. ("AMD") products. AMD makes no representations or warranties with respect to the accuracy or completeness of the contents of this publication and reserves the right to make changes to specifications and product descriptions at any time without notice. No license, whether express, implied, arising by estoppel, or otherwise, to any intellectual property rights are granted by this publication. Except as set forth in AMD's Standard Terms and Conditions of Sale, AMD assumes no liability whatsoever, and disclaims any express or implied warranty, relating to its products including, but not limited to, the implied warranty of merchantability, fitness for a particular purpose, or infringement of any intellectual property right.

AMD's products are not designed, intended, authorized or warranted for use as components in systems intended for surgical implant into the body, or in other applications intended to support or sustain life, or in any other application in which the failure of AMD's product could create a situation where personal injury, death, or severe property or environmental damage may occur. AMD reserves the right to discontinue or make changes to its products at any time without notice.

Table of Contents

Chapter 1: Introduction

1.1 About This Document.....	1-1
1.2 Architecture Overview.....	1-1

Chapter 2: Register Space Access

2.1 PCIe Core/Port Indirect Register Space (PCIEIND).....	2-1
2.2 PCIe Port Indirect Register Space (PCIEIND_P).....	2-1
2.3 HTIU Indirect Register Space (HTIUIND).....	2-1
2.4 MISC Indirect Register Space (MISCIND).....	2-1
2.5 Clock Configuration Register Space (CLKCONFIG).....	2-2

Chapter 3: IRQ Mapping

3.1 Legacy Interrupt Mapping (IO APIC Disabled).....	3-1
3.2 I/O APIC Interrupt Mapping (I/O APIC 32 Entry Mode).....	3-2
3.3 Interrupt Mapping in Multi-NB Environment.....	3-2
3.4 I/O APIC Support.....	3-3

Chapter 4: CIMx-SR5690 Architecture

4.1 Introduction.....	4-1
4.2 Binary Image Design.....	4-1
4.2.1 Binary Block Structure.....	4-1
4.2.2 Binary Header.....	4-2
4.2.3 Module Header.....	4-2
4.3 Execution Environment Expectations.....	4-3
4.4 Standard Header.....	4-3
4.5 Call Entry to Dispatcher.....	4-4
4.6 Callback Function.....	4-4
4.7 Operational Overview.....	4-5
4.8 Push-High Interface.....	4-6
4.8.1 Theory of Operation.....	4-6
4.8.2 Making Calls to Image Entry Points.....	4-6
4.8.3 AmdBridge32 Procedure.....	4-7
4.8.4 Handling Callback Procedures.....	4-8
4.8.5 Alternative Callback in 32-Bit Mode.....	4-9
4.9 Interface Calls.....	4-9
4.9.1 AmdInitializer.....	4-9
4.9.2 AmdPowerOnResetInit.....	4-9
4.9.3 AmdHtInit.....	4-9
4.9.4 AmdPcieEarlyInit.....	4-9
4.9.5 AmdEarlyPostInit.....	4-10
4.9.6 AmdMidPostInit.....	4-10
4.9.7 AmdLatePostInit.....	4-10
4.9.8 AmdS3Init.....	4-11
4.10 Interface Callback.....	4-11
4.10.1 AmdPortTrainingCompleted.....	4-11
4.10.2 AmdPortResetDeassert.....	4-11

4.10.3	AmdPortResetAssert	4-12
4.10.4	AmdPortResetSupported	4-12
4.10.5	AmdAllocateBuffer	4-13
4.10.6	AmdFreeBuffer	4-14
4.10.7	AmdGeneratePciReset	4-14
4.10.8	AmdReportEvent	4-15
4.10.9	AmdUpdateApicInterruptMapping	4-15
4.10.10	AmdPcieAspmInfo	4-16
4.11	Architectural Details of IOMMU	4-16
4.11.1	Theory of Operation	4-16
4.11.2	Requirements	4-16
4.11.3	Execution	4-17
4.12	Legacy Wrapper Example	4-17

Chapter 5: UEFI Support

5.1	UEFI Driver Information	5-1
-----	-------------------------	-----

Chapter 6: Power Management

6.1	Sx State Power Management	6-1
6.1.1	Register Restoration	6-1
6.1.2	Resume from S3 State	6-1

Appendix A: Revision History

List of Figures

Figure 4-1: Binary Block Structure	4-1
Figure 4-2: Boot Sequence Flow-Chart	4-5
Figure 4-3: Push-High Interface	4-6
Figure 4-4: Procedure Call through the Push-High Interface	4-7
Figure 4-5: Callout Router Operation	4-8

List of Tables

Table 3-1: Legacy Interrupt Mapping	3-1
Table 3-2: I/O APIC Interrupt Mapping	3-2

Chapter 1

Introduction

1.1 About This Document

This manual contains guidelines for the BIOS and software development of a system that utilizes the SR5690/5670/5650 system logic.

Changes and additions to the previous release of this document are highlighted in **red**. Refer to [Appendix A](#) at the end of this document for a detailed revision history.

1.2 Architecture Overview

The SR5690/5670/5650 is the system logic of the latest server/workstation platform from AMD that enables its next generation CPUs. The SR5690/5670/5650 also comes equipped with the new HyperTransport™ 3 and PCIe® Gen 2 technologies. The SR5690/5670/5650 introduces a variety of Reliability, Availability and Serviceability (RAS) capabilities. These include parity protection for on-chip memories, PCI Express® Advanced Error Reporting (AER), and advanced error handling capabilities for HyperTransport.

The SR5690/5670/5650 also supports a revision 1.2 compliant IOMMU (Input/Output Memory Management Unit) implementation for address translation and protection services. This feature allows virtual addresses from PCI Express endpoint devices to be translated to physical memory addresses. On-chip caching of address translations is provided to improve I/O performance. The device is also compliant with revision 1.0 of the PCI Express Address Translation Services (ATS) specification to enable ATS-compliant endpoint devices to cache address translation. These features enhance memory protection and support hardware-based I/O virtualization when combined with appropriate operating system or hypervisor software. Combined with AMD Virtualization™ technology, these features provide comprehensive platform level virtualization support.

This page is left blank intentionally.

Chapter 2

Register Space Access

2.1 PCIe® Core/Port Indirect Register Space (PCIEIND)

The Core Index Space contains control and status registers that are generic to all PCIe® ports in the SR5690/5670/5650. This register space is accessed through the following index/data register pair located in the SR5690/5670/5650's northbridge PCI configuration registers:

- Index register is bus 0, device 0, register 0xE0.
- Data register is bus 0, device 0, register 0xE4.

Note: Register descriptions are referenced with the name PCIEIND.

The Core Index Space is subdivided into two parts. Since there are a total of 5 PCIe cores in the SR5690/5670/5650, hardware has been implemented to provide a mechanism to access these registers either independently or jointly through the programming of bits [18:16] of the index register 0xE0. The encoding is as follows:

- 0xE0[18:16] == 0x5: Reads and writes accesses to 0xE4 will be directed at the per-core index registers in PCIE-SB only.
- 0xE0[18:16] == 0x4: Reads and writes accesses to 0xE4 will be directed at the per-core index registers in PCIE-GPP1 only.
- 0xE0[18:16] == 0x6: Reads and writes accesses to 0xE4 will be directed at the per-core index registers in PCIE-GPP2 only.
- 0xE0[18:16] == 0x7: Reads and writes accesses to 0xE4 will be directed at the per-core index registers in PCIE-GPP3a only.
- 0xE0[18:16] == 0x3: Reads and writes accesses to 0xE4 will be directed at the per-core index registers in PCIE-GPP3b only.

Note: Register descriptions are referenced with the name PCIEIND or BIFNB.

2.2 PCIe® Port Indirect Register Space (PCIEIND_P)

This register space is accessed through the following index/data register pair located in the SR5690/5670/5650's northbridge PCI configuration registers:

- Index register is bus 0, device 2/3/4/5/6/7/9/10/11/12/13, register 0xE0[15..0].
- Data register is bus 0, device 2/3/4/5/6/7/9/10/11/12/13, register 0xE4[31..0].

Note: Register descriptions are referenced with the name PCIEIND_P or BIFNBP.

2.3 HTIU Indirect Register Space (HTIUIND)

This register space is accessed through the following index/data register pair located in the SR5690/5670/5650's northbridge PCI configuration registers:

- Index register is bus 0, device 0, register 0x94[7..0].
- Data register is bus 0, device 0, register 0x98[31..0]. To write HTIUIND, register 0x94[8] has to be set.

Note: Register descriptions are referenced with the name HTIUIND.

2.4 MISC Indirect Register Space (MISCIND)

This register space is accessed through the following index/data register pair located in the SR5690/5670/5650's northbridge PCI configuration registers:

- Index register is bus 0, device 0, register 0x60[7..0].

- Data register is bus 0, device 0, register 0x64[31..0]. To write MISCIND, register 0x60[7] has to be set.

Note: Register descriptions are referenced with the name MISCIND.

2.5 Clock Configuration Register Space (CLKCONFIG)

The SR5690/5670/5650 clock control block is located in Device0, Function1. By default, this PCI function does not appear in the PCI configuration space. System firmware can make Device0, Function1 visible by setting NBCONFIG:0x4C[0] to 1. The expected use of the Clock Control function is to only enable it in the PCI configuration space for modification by system firmware during POST. This function does not implement PCI device and vendor ID's. Therefore, system firmware should hide the Clock Control function after making modifications.

Chapter 3

IRQ Mapping

3.1 Legacy Interrupt Mapping (IO APIC Disabled)

Table 3-1 Legacy Interrupt Mapping

Device Behind Internal Bridge #	Interrupt Mapping	INT_SEL_MODE == 1 Interrupt Mapping
2	INTA -> INTC INTB -> INTD INTC -> INTA INTD -> INTB	INTA -> INTG INTB -> INTH INTC -> INTE INTD -> INTF
3	INTA -> INTD INTB -> INTA INTC -> INTB INTD -> INTC	INTA -> INTH INTB -> INTE INTC -> INTF INTD -> INTG
4	INTA -> INTA INTB -> INTB INTC -> INTC INTD -> INTD	INTA -> INTE INTB -> INTF INTC -> INTG INTD -> INTH
5	INTA -> INTB INTB -> INTC INTC -> INTD INTD -> INTA	INTA -> INTF INTB -> INTG INTC -> INTH INTD -> INTE
6	INTA -> INTC INTB -> INTD INTC -> INTA INTD -> INTB	INTA -> INTG INTB -> INTH INTC -> INTE INTD -> INTF
7	INTA -> INTD INTB -> INTA INTC -> INTB INTD -> INTC	INTA -> INTH INTB -> INTE INTC -> INTF INTD -> INTG
9	INTA -> INTB INTB -> INTC INTC -> INTD INTD -> INTA	INTA -> INTF INTB -> INTG INTC -> INTH INTD -> INTE
10	INTA -> INTC INTB -> INTD INTC -> INTA INTD -> INTB	INTA -> INTG INTB -> INTH INTC -> INTE INTD -> INTF
11	INTA -> INTD INTB -> INTA INTC -> INTB INTD -> INTC	INTA -> INTH INTB -> INTE INTC -> INTF INTD -> INTG
12	INTA -> INTA INTB -> INTB INTC -> INTC INTD -> INTD	INTA -> INTE INTB -> INTF INTC -> INTG INTD -> INTH
13	INTA -> INTB INTB -> INTC INTC -> INTD INTD -> INTA	INTA -> INTF INTB -> INTG INTC -> INTH INTD -> INTE

3.2 I/O APIC Interrupt Mapping (I/O APIC 32 Entry Mode)

Default interrupt mapping setup by CIMx and can be overridden through dedicated interface callback.

Table 3-2 I/O APIC Interrupt Mapping

Bridge Device Number	Bridge Interrupt Pin	Bridge IO APIC Interrupt Pin	Device Behind Bridge Interrupt Pin	Device Behind Bridge IO APIC Interrupt Pin
2	INTA -> INTE	INTA ->28	INTA -> INTA INTB -> INTB INTC -> INTC INTD -> INTD	INTA -> 0 INTB -> 1 INTC -> 2 INTD -> 3
3	INTA -> INTE	INTA ->28	INTA -> INTE INTB -> INTF INTC -> INTG INTD -> INTH	INTA -> 4 INTB -> 5 INTC -> 6 INTD -> 7
4	INTA -> INTE	INTA ->28	INTA -> INTE INTB -> INTF INTC -> INTG INTD -> INTH	INTA -> 20 INTB -> 21 INTC -> 22 INTD -> 23
5	INTA ->INTE	INTA ->28	INTA -> INTG INTB -> INTH INTC -> INTE INTD -> INTF	INTA -> 22 INTB -> 23 INTC -> 20 INTD -> 21
6	INTA -> INTF	INTA ->29	INTA -> INTD INTB -> INTA INTC -> INTB INTD -> INTC	INTA -> 27 INTB -> 24 INTC -> 25 INTD -> 26
7	INTA -> INTF	INTA ->29	INTA -> INTC INTB -> INTD INTC -> INTA INTD -> INTB	INTA -> 26 INTB -> 27 INTC -> 24 INTD -> 25
9	INTA ->INTF	INTA ->29	INTA -> INTA INTB -> INTB INTC -> INTC INTD -> INTD	INTA -> 24 INTB -> 25 INTC -> 26 INTD -> 27
10	INTA -> INTG	INTA -> 30	INTA -> INTH INTB -> INTE INTC -> INTF INTD -> INTG	INTA -> 23 INTB -> 20 INTC -> 21 INTD -> 22
11	INTA -> INTG	INTA -> 30	INTA -> INTA INTB -> INTB INTC -> INTC INTD -> INTD	INTA -> 8 INTB -> 9 INTC -> 10 INTD -> 11
12	INTA -> INTG	INTA -> 30	INTA -> INTE INTB -> INTF INTC -> INTG INTD -> INTH	INTA -> 12 INTB -> 13 INTC -> 14 INTD -> 15
13	INTA -> INTG	INTA -> 30	INTA -> INTA INTB -> INTB INTC -> INTC INTD -> INTD	INTA -> 16 INTB -> 17 INTC -> 18 INTD -> 19

3.3 Interrupt Mapping in Multi-NB Environment

Interrupt swizzling by the processor in a multi-NB environment:

In a multi-NB environment, the processor complex will swizzle the secondary NB’s interrupts as follows:

INTA->INTB

INTB->INTC

INTC->INTD

INTD->INTA

INTE->INTE

INTF->INTF

INTG->INTG

INTH->INTH

The primary NB's interrupts are unaffected.

3.4 I/O APIC Support

All SR5690/5670/5650 I/O APIC "Level Triggered" interrupt must be reported as Active High. Below is an example of I/O APIC interrupt routing implementation for ACPI for bridge device number 2. (LNKA/LNKB/LINKC/LINKD are SB interrupt link control devices, interrupt vector on SR5690/5670/5650 I/O APIC starts from 24).

```
//-----
// Begin System Bus Scope
//-----
Scope(\_SB) {
  // PciExBr2
    Package () {0x0002FFFF, 0, LNKC, 0 },
    ...
  }
  Name (AR00, Package () {
// PciExBr2
    Package () {0x0002FFFF, 0, LN52, 0 },
    ...
  })
  Name (PR02, Package () {
// PciExSlot2
    Package () {0x0000FFFF, 0, LNKC, 0 },
    Package () {0x0000FFFF, 1, LNKD, 0 },
    Package () {0x0000FFFF, 2, LNKA, 0 },
    Package () {0x0000FFFF, 3, LNKB, 0 },
    ...
  })
  Name (AR02, Package () {
// PciExSlot2
    Package () {0x0000FFFF, 0, LN24, 0 },
    Package () {0x0000FFFF, 1, LN25, 0 },
    Package () {0x0000FFFF, 2, LN26, 0 },
    Package () {0x0000FFFF, 3, LN27, 0 }
```

```

        ...
    })
}

/-----
// Begin PCI tree object scope
//-----

Device(PCI0) {
    Name(_HID, EISAID("PNP0A03"))
    Name(_ADR, 0x00180000)
    Method(^BN00, 0){ return(0x0000) }
    Method(_BBN, 0){ return(BN00()) }
    Name(_UID, 0x0000)
    Method(_PRT,0) {
        If(PICM) {Return(AR00)} // APIC mode
        Return (PR00) // PIC Mode
    }

    Device(PCE2) { // PciExBr2
        Name(_ADR, 0x00020000)
        Method(_PRW, 0) { Return(GPRW(0x18, 4)) }
        Method(_PRT,0) {
            If(PICM) { Return(AR02) } // APIC mode
            Return (PR02) // PIC Mode
        }
    }
}

Name(PRSP,
    ResourceTemplate() { // _PRS for APIC Mode
        Interrupt(ResourceConsumer, Level, ActiveHigh, Shared, , ,IRXX) { 0 }
    }
)

Device(LN24){
    Name(_HID, EISAID("PNP0C0F"))
    Name(_UID, 24)
    Method(_STA,0) {
        Return (0xb)
    }
    Method(_PRS,0){
        CreateDwordField(PRSP, 0x5, IRQX)
    }
}

```



```

        Store (24, IRQX)
        return (PRSP)
    }
    Method(_DIS,0) {
    }
    Method(_CRS,0){
        CreateDwordField(PRSP, 0x5, IRQX)
        Store (24, IRQX)
        return (PRSP)
    }
    Method(_SRS, 1)
    {
    }
} // end Device LN24

Device(LN25){
    Name(_HID, EISAID("PNP0C0F"))
    Name(_UID, 25)
    Method(_STA,0) {
        Return (0xb)
    }
    Method(_PRS,0){
        CreateDwordField(PRSP, 0x5, IRQX)
        Store (25, IRQX)
        return (PRSP)
    }
    Method(_DIS,0) {
    }
    Method(_CRS,0){
        CreateDwordField(PRSP, 0x5, IRQX)
        Store (25, IRQX)
        return (PRSP)
    }
    Method(_SRS, 1)
    {
    }
} // end Device LN25

Device(LN26){
    Name(_HID, EISAID("PNP0C0F"))

```

```
Name(_UID, 26)
Method(_STA,0) {
    Return (0xb)
}
Method(_PRS,0){
    CreateDwordField(PRSP, 0x5, IRQX)
    Store (26, IRQX)
    return (PRSP)
}
Method(_DIS,0) {
}
Method(_CRS,0){
    CreateDwordField(PRSP, 0x5, IRQX)
    Store (26, IRQX)
    return (PRSP)
}
Method(_SRS, 1)
{
}

} // end Device LN26

Device(LN27){
    Name(_HID, EISAID("PNP0C0F"))
    Name(_UID, 27)
    Method(_STA,0) {
    Return (0xb)
}
    Method(_PRS,0){
        CreateDwordField(PRSP, 0x5, IRQX)
        Store (27, IRQX)
        return (PRSP)
    }
    Method(_DIS,0) {
    }
    Method(_CRS,0){
        CreateDwordField(PRSP, 0x5, IRQX)
        Store (27, IRQX)
        return (PRSP)
    }
}
```

```
        Method(_SRS, 1)
        {
        }

} // end Device LN27

Device(LN52) {
    Name(_HID, EISAID("PNPOC0F"))
    Name(_UID, 52)
    Method(_STA, 0) {
        Return (0xb)
    }
    Method(_PRS, 0) {
        CreateDwordField(PRSP, 0x5, IRQX)
        Store (52, IRQX)
        return (PRSP)
    }
    Method(_DIS, 0) {
    }
    Method(_CRS, 0) {
        CreateDwordField(PRSP, 0x5, IRQX)
        Store (52, IRQX)
        return (PRSP)
    }
    Method(_SRS, 1)
    {
    }
} // end Device LN52
```


Chapter 4

CIMx-SR5690 Architecture

4.1 Introduction

The CIMx-SR5690 uses an interface and distribution model to help quickly integrate SR5690/5670/5650 northbridge family support in the customer products.

4.2 Binary Image Design

The binary image build style has several advantages and is required by the legacy Push-High interface. The binary image is compiled and built using 32-bit tools, while the legacy code uses 16-bit tools.

4.2.1 Binary Block Structure

CIMx software binary image is prefixed with a binary header which identifies the binary and points to the code module(s) contained within. There may be only a single code module or several modules combined into one binary image to reduce build overhead costs.

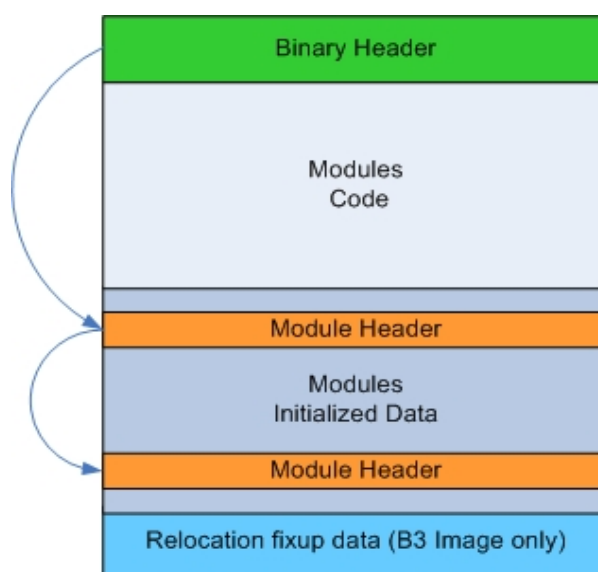


Figure 4-1 Binary Block Structure

The host environment must first find the binary image in the memory space, then calculate the execution address of the dispatcher to transfer control to the desired CIMx software function. Due to system requirements, the CIMx software may be spread out into three binary images. A typical legacy environment may choose to create the following images:

Image 'B1': A code image for use in recovery mode. This is a separate image to satisfy the requirement that the recovery code must be contained in a locked portion of the Flash ROM device.

Image 'B2': The main code image used during power-on initialization.

Image 'B3': A code image for use in system management mode. This is a separate image to allow a code load into SMM RAM for faster execution.

4.2.2 Binary Header

The following binary header exists in each binary image. It is the first element in the binary image and can be discovered by either implicit build knowledge or by searching the memory space for the signature constant. The binary image, and therefore the signature, must be aligned on a 32K byte boundary in the memory address space.

Prototype:

```
typedef struct {
    UINT32 Signature;
    CHAR8 CreatorID[8];
    CHAR8 Version[12];
    UINT32 ModuleInfoOffset;
    UINT32 EntryPointAddress;
    UINT32 ImageBase;
    UINT32 RelocTableOffset;
    UINT32 ImageSize;
    UINT16 Checksum;
    UINT8 ImageType;
    UINT8 V_reserved;
} AMD_IMAGE_HEADER;
```

The parameters are defined as follows:

Parameter	Definition
Signature	Signature that identifies this as an AGESA software image. This is a constant value equal to the string "\$AMD".
Creator ID	Image creator ID signature. This is specified by a parameter and set by the BINUTIL image editing tool during the build process. It is set to <TBD> by the binary table editor tool.
Version	Release version of binary image.
ModuleInfoOffset	Offset of first occurrence of AmdModuleHeader relative to the start of the binary image.
EntryPointAddress	Offset of the entry point relative to the start of the binary image.
ImageBase	Image base address. This the linear/physical address to which the image code has presently been located (where it expects to execute).
RelocTableOffset	Offset of relocation table, if applicable. Set to 0 if table not present. This the offset relative to the start of the binary image.
ImageSize	Size, in bytes, of the complete binary image including the header.
Checksum	Checksum of the binary image. The entire binary image sums to 0. Using a word summation of bytes style algorithm.
ImageType	Image type, e.g. 1 – B1, 2 – B2, 3 – B3.
V_Reserved	Must be 0.

4.2.3 Module Header

A module header exists for each code module included in the binary image. There may be more than one module, in which case the NextBlock parameter is used to chain the modules in the binary image.

Prototype:

```
typedef struct _AMD_MODULE_HEADER {
    UINT32 ModuleHeaderSignature,
    CHAR8 ModuleIdentifier[8],
    CHAR8 ModuleVersion[12],
    VOID *ModuleDispatcher,
    struct _AMD_MODULE_HEADER *NextBlock
} AMD_MODULE_HEADER;
```

The parameters are defined as follows:

Parameter	Definition
ModuleHeaderSignature	Constant value equal to the string "\$MOD".
ModuleIdentifier	Published name for this module.
ModuleVersion	Release version of the module in string format.
ModuleDispatcher	Offset of the module dispatcher relative to the start of the binary image.
NextBlock	Offset of the next AmdModuleInfoBlock relative to the start of the binary image. If no more blocks are present, this is set to 0x00000000.

4.3 Execution Environment Expectations

The image code expects to be located at an address determined by the host environment. This means the relocation fix-up records are used to fix-up the code references to addresses in the image. AMD provides a tool called BINUTIL2.EXE to perform this action. See "Build Process" in CIMX-NB.CHM.

Prior to calling any AGESA software interface, it is required that the host environment establish the following requirements:

- CPU is in 32-bit protected mode execution
- CS is a 32-bit code segment with Base/Limit – 0x00000000/0xffffffff.
- DS/ES/SS are 32-bit data segments with Base/Limit – 0x00000000/0xffffffff.
- If paging is enabled, then pages must be identity mapped (e.g.: pg 1 to pg1, pg 2 to pg2, etc)

4.4 Standard Header

An architectural header is defined at the front of every function's configuration block. This standard header is filled by the host environment prior to calling through the entry point. This data is present in the configuration block at all times, essentially making it global throughout the function call. For example, this data is a part of the legacy Push-High.

Prototype:

```
typedef struct {
    UINT32 ImageBasePtr;
    UINT32 Func;
    UINT32 AltImageBasePtr;
    VOID *PcieBasePtr;
    CALLOUT_ENTRY *CalloutPtr;
    UINT32 Reserved[3];
} AMD_CONFIG_PARAMS;
```

The parameters are defined as follows:

Parameter	Definition
ImageBasePtr	Memory location where the host environment has placed the binary image.
Func	Identifier of the desired procedure. The identifiers are defined in a provided Include file.
AltImageBasePtr	Memory location where the host environment has placed the B2 binary image. This value is optional and should be set to 0x00000000 when not used.
PcieBasePtr	Base address of the memory mapped I/O block for access to PCIe® configuration cycles.
CalloutPtr	32-bit pointer to where the host environment has placed the entry point for call-out routines. The AGESA™ software code transfers control to this address for processing of call-out functions (see section 4.6 "Callback Function" on page 4-4). In a legacy Push-High environment this is the address of AmdCallout16.
Reserved	Reserved for future use.

4.5 Call Entry to Dispatcher

The dispatcher in the code module uses a function definition as shown below. The value of the pointer ImageEntryPtr is determined by either implicit knowledge of the host build environment or by scanning the memory address space for the binary image.

Prototype:

```

AGESA_STATUS (*ImageEntryPtr) (
    IN OUT AMD_NB_CONFIG_BLOCK *ConfigPtr
);
    
```

where **ConfigPtr** is a pointer to the function’s data structure which contains the standard header at the front (see CIMX-NB.CHM for detailed definition of AMD_NB_CONFIG_BLOCK structure).

Possible return values are:

Return Value	Definition
AGESA_SUCCESS	The selected function has competed successfully.
AGESA_UNSUPPORTED	The selected function is not supported/implemented.
AGESA_ERROR	The selected function signaled error.
AGESA_FATAL	Non-recoverable error encountered during call. BIOS post should stop.
AGESA_WARNING	Warning encountered during call.

4.6 Callback Function

All callback functions use the CallOutPtr structure element provided by the host environment in the Standard Header. The Callback function definition is as follows:

Prototype:

```

AGESA_STATUS (*CallbackPtr) (
    IN     UINT32 CallbackId,
    IN     UINTN  Data,
    IN OUT AMD_NB_CONFIG_BLOCK *ConfigPtr
);
    
```

The parameters are defined as follows:

Parameter	Definition
CallbackId	Identifier of the desired procedure. The identifiers are defined in a provided Include file.
Data	Specific to callback data.
ConfigPtr	Pointer to the function’s data structure which contains the Standard Header at the front. Refer to CIMX_NB.CHM for detailed definition of AMD_NB_CONFIG_BLOCK structure.

Possible return values are:

Return Value	Definition
AGESA_SUCCESS	The selected function has competed successfully.
AGESA_UNSUPPORTED	The selected function is not supported/implemented.
AGESA_ERROR	The selected function signaled error.

4.7 Operational Overview

The following diagram is a representation of the timeline of a boot sequence depicting the major tasks performed in a typical system.

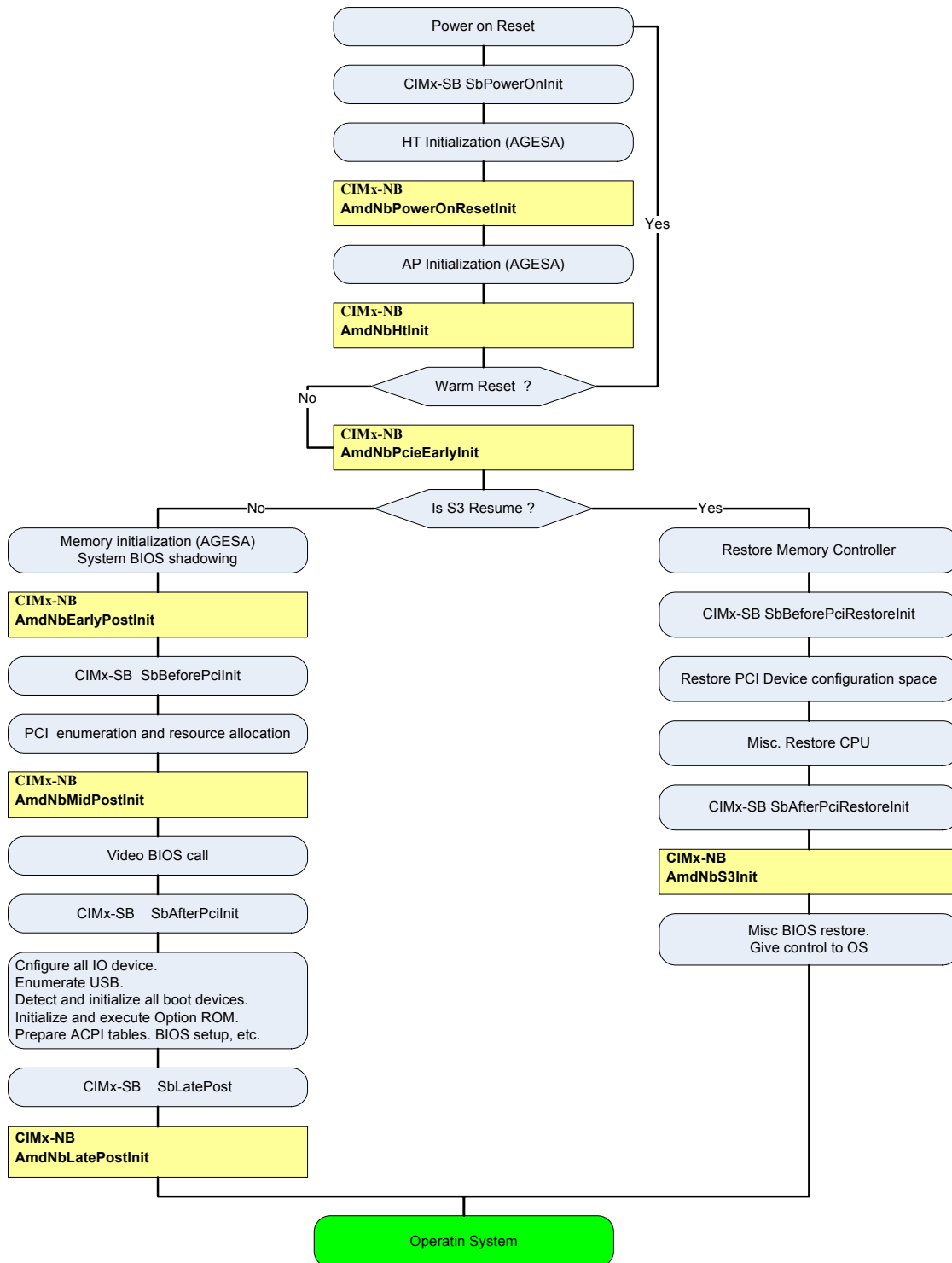


Figure 4-2 Boot Sequence Flow-Chart

4.8 Push-High Interface

This section covers the host environment requirements to implement the Legacy BIOS interface mechanisms to access the CIMx software procedures. This is collectively referred to as the “Push-High” interface. The Push-High interface relies upon the modular construction of the CIMx software into binary images as mentioned in section 4.2 “Binary Image Design” on page 4-1.

The Push-High interface also relies upon the existence of a stack. It is the responsibility of the host environment to call this function to establish a valid stack prior to making any calls to the Push-High interface.

The Push-High routines do not rely on segment names being imported from the host environment through the INCLUDE files. The procedures defined below are without segment declarations. The host environment must define a local file conforming to the environment’s needs and use the INCLUDE directive to pull the Push-High source file into the local file.

4.8.1 Theory of Operation

The Push-High model is used to interface the CIMx software to a legacy PC/AT system BIOS. It consists of code compiled into the host environment BIOS and code compiled with the CIMx software core. The legacy side code (the bridge) changes the processor mode to 32-bit protected mode flat address model, calls into the AGESA software side (the Dispatcher), executes the requested function, and returns to the caller. The model also provides a framework for the CIMx software side to call the legacy PC/AT system BIOS in its native 16-bit mode of operation.

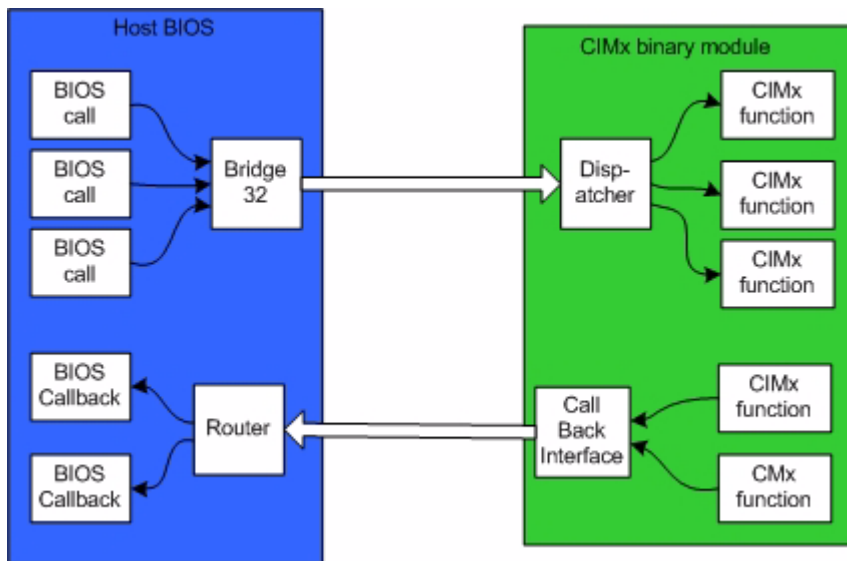


Figure 4-3 Push-High Interface

4.8.2 Making Calls to Image Entry Points

All procedure calls are made using the module dispatchers described in section 4.5 “Call Entry to Dispatcher” on page 4-4. The host environment procedures must properly create and fill the Standard Header data. The identifiers for the published entry point functions can be found in the CIMX-NB.INC include file. At each point in the host environment code where a call to the CIMx software is desired, a call to the AMmdBridge32 procedure (described in section 4.8.3) must be inserted.

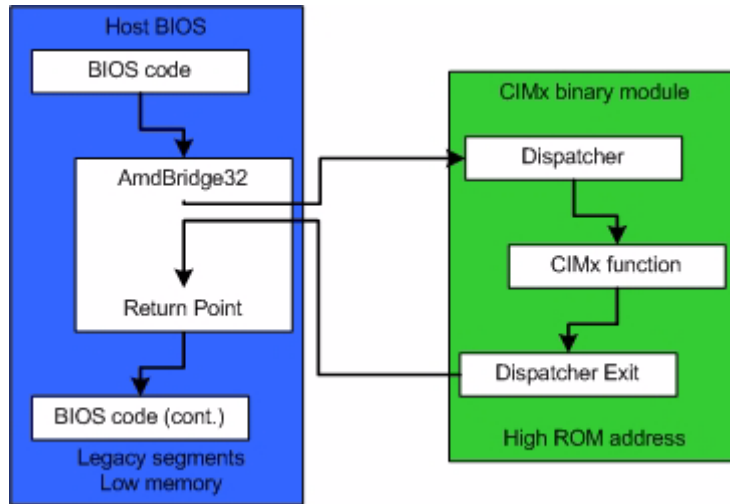


Figure 4-4 Procedure Call through the Push-High Interface

4.8.3 AmdBridge32 Procedure

Function: Execute a CIMx software function through the Push-High interface.

Prototype:

```

mov (AMD_CONFIG_PARAMS PTR LocalConfigBlock).Func, PH_Initializer
mov (AMD_CONFIG_PARAMS PTR LocalConfigBlock).ImageBasePtr, \
0FFFFFFFFh - BIOS_ROM_SIZE + 1 + AMD_MODULE_OFFSET
mov (AMD_CONFIG_PARAMS PTR LocalConfigBlock).AltImageBasePtr, 0
mov (AMD_CONFIG_PARAMS PTR LocalConfigBlock).CalloutPtr, OFFSET AmdCallout16
mov dx, SEG OemCallback
shl edx, 16
mov dx, OFFSET OemCallback; set the real mode pointer
xor esi, esi
mov si, seg LocalConfigBlock
shl esi, 4
add esi, offset LocalConfigBlock
call AmdBridge32
    
```

The parameters are defined as follows:

Parameter	Definition
EDX	A Real Mode FAR pointer using seg16:Offset16 format that points to a local host environment call out router. If this pointer is not equal to zero then this pointer will be used as the call out router instead of the standard OemCallback. This may be useful when the callout router is not located in the same segment as the AmdBridge32 and AmdCallout16 routines.
ESI	A Flat Mode pointer (32bit address) that points to the configuration block for the CIMx software function.
AMD_CONFIG_PARAMS (related parameter)	Standard header definition shown in "Standard Header"

4.8.4 Handling Callback Procedures

All procedure callbacks are made using the call port described in [section 4.6 “Callback Function” on page 4-4](#). This means the host environment must implement a call-out router function and load its address in the Standard Header properly. In the Push-High interface, this function is provided by the AgesaCallOut16 procedure. This procedure is implemented in the host environment and functions as described in [section 4.6 “Callback Function” on page 4-4](#).

The router portion of AgesaCallOut16 uses another host environment procedure to translate the function number into a execution address for the call out procedure.

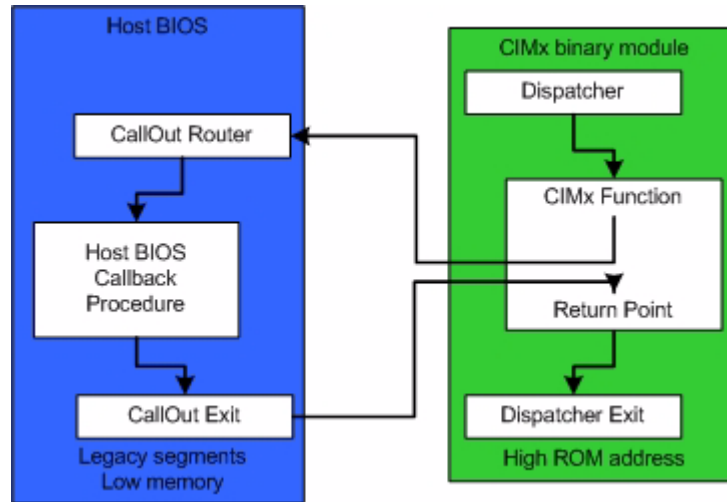


Figure 4-5 Callout Router Operation

The call interface to the router procedure is as follows:

Prototype:

```

;Input ECX/EDX/EAX/ESI
OemCallback PROC FAR PUBLIC
    ret
OemCallback ENDP
    
```

The parameters are defined as follows:

Parameter	Definition
ECX	Callback ID. See “Interface Callback”.
EDX	Function specific data. See “Interface Callback”.
ESI	A Flat Mode pointer (32bit address) that points to the AMD_NB_CONFIG_BLOCK.
EAX	AGESA_UNSUPPORTED

Possible return values are defined as follows:

Return Value	Definition
AGESA_SUCCESS	The selected function has completed successfully.
AGESA_UNSUPPORTED	The selected function is not supported/implemented.
AGESA_ERROR	The selected function signaled error.

4.8.5 Alternative Callback in 32-Bit Mode

The Push-High interface is designed for use in 16-bit execution legacy BIOS environments; however, any individual callout for a core function may be implemented in 32-bit mode. This permits the author to use the C language and link the function with the CIMx software module, which is loaded in the high area. This reduces the amount of “thunking” and improves execution speed. In addition, it provides the benefits of easier support and reduced maintenance costs. The host environment must modify the build control files to include their customized files.

4.9 Interface Calls

4.9.1 AmdInitializer

Function: Initialize PCIE/HT/NB block configuration structure to default recommended value (refer to CIMx-NB.CHM for details).

Push-High Function ID: PH_Initializer

Prototype:

```
AGESA_STATUS AmdInitializer(
    IN OUT AMD_NB_CONFIG_BLOCK *ConfigPtr
);
```

The parameter, **ConfigPtr**, is a pointer to the function’s data structure. Refer to CIMx-NB.CHM (can be CIMx-SR5690 distribution package) for detailed definition of AMD_NB_CONFIG_BLOCK structure.

4.9.2 AmdPowerOnResetInit

Function: Initialize northbridge registers on power-on reset.

Push-High Function ID: PH_amdPowerOnResetInit

Prototype:

```
AGESA_STATUS AmdPowerOnResetInit(
    IN OUT AMD_NB_CONFIG_BLOCK *ConfigPtr
);
```

The parameter **ConfigPtr** is a pointer to the function’s data structure. Refer to CIMx-NB.CHM for detailed definition of the AMD_NB_CONFIG_BLOCK structure.

4.9.3 AmdHtInit

Function: Initialize HT subsystem in addition to initialization performed by AGESA.

Push-High Function ID: PH_AmdPowerOnResetInit

Prototype:

```
AGESA_STATUS AmdHtInit(
    IN OUT AMD_NB_CONFIG_BLOCK *ConfigPtr
);
```

The parameter **ConfigPtr** is a pointer to the function's data structure. Refer to CIMx-NB.CHM for detailed definition of the AMD_NB_CONFIG_BLOCK structure.

4.9.4 AmdPcieEarlyInit

Function: Initialize PCIe subsystem. Train links on all enabled ports. Initialize hot-plug. Result of this calls all PCIe ports in operational state.

Push-High Function ID: PH_amdPcieEarlyInit

Prototype:

```

    AGESA_STATUS AmdPcieEarlyInit (
        IN OUT AMD_NB_CONFIG_BLOCK *ConfigPtr
    );

```

The parameter, **ConfigPtr**, is a pointer to the function's data structure. Refer to CIMx-NB.CHM for detailed definition of AMD_NB_CONFIG_BLOCK structure.

4.9.5 AmdEarlyPostInit

Function: Initialize miscellaneous northbridge feature at Early Post.

Push-High Function ID: PH_amdEarlyPostInit

Prototype:

```

    AGESA_STATUS AmdEarlyPostInit(
        IN OUT AMD_NB_CONFIG_BLOCK *ConfigPtr
    );

```

The parameter, **ConfigPtr**, is a pointer to the function's data structure. Refer to CIMx-NB.CHM for detailed definition of the AMD_NB_CONFIG_BLOCK structure.

4.9.6 AmdMidPostInit

Function: Initialize miscellaneous northbridge feature at Mid Post.

Push-High Function Id: PH_amdMidPostInit

Prototype:

```

    AGESA_STATUS AmdMidPostInit (
        IN OUT AMD_NB_CONFIG_BLOCK *ConfigPtr
    );

```

The parameter, **ConfigPtr**, is a pointer to the function's data structure. Refer to CIMx-NB.CHM for detailed definition of the AMD_NB_CONFIG_BLOCK structure.

The functions AmdEarlyPostInit/AmdMidPostInit/AmdLatePostInit/AmdS3Init must share the same exact copy of the AMD_NB_CONFIG_BLOCK structure.

4.9.7 AmdLatePostInit

Function: Initialize miscellaneous Northbridge feature at Late Post.

Push-High Function Id: PH_amdLatePostInit

Prototype:

```

    AGESA_STATUS AmdLatePostInit(
        IN OUT AMD_NB_CONFIG_BLOCK *ConfigPtr
    );

```

The parameter, **ConfigPtr**, is a pointer to the function's data structure. Refer to CIMx-NB.CHM for detailed definition of the AMD_NB_CONFIG_BLOCK structure.

The functions AmdEarlyPostInit/AmdMidPostInit/AmdLatePostInit/AmdS3Init must share the same exact copy of the AMD_NB_CONFIG_BLOCK structure.

Note: amdLatePostInit must be run after ACPI tables are created and linked into the RSDT.

4.9.8 AmdS3Init

Function: Initialize PCIe and northbridge feature on S3 resume. See Chapter 6: Power Management for additional details.

Push-High Function Id: PH_amdS3Init

Prototype:

```
AGESA_STATUS AmdS3Init(
    IN OUT AMD_NB_CONFIG_BLOCK *ConfigPtr
);
```

The parameter, ConfigPtr, is a pointer to the function's data structure. See CIMx-NB.CHM for detailed definition of the AMD_NB_CONFIG_BLOCK structure.

The functions AmdEarlyPostInit/AmdMidPostInit/AmdLatePostInit/AmdS3Init must share same exact copy of the AMD_NB_CONFIG_BLOCK structure.

4.10 Interface Callback

4.10.1 AmdPortTrainingCompleted

Function: PCIe Port Initialization Completed endpoint detected.

Push-High Callback ID: PHCB_amdPortTrainingCompleted

Prototype:

```
AGESA_STATUS (*CallOutPtr) (
    IN     UINT32 CallbackId,
    IN     UINTN PortId,
    IN OUT AMD_NB_CONFIG_BLOCK *ConfigPtr
);
```

The parameters are defined as follows:

Parameter	Definition
Data	PCI Express Port ID.
ConfigPtr	Pointer to the function's data structure. See CIMx-NB.CHM for detailed definition of the AMD_NB_CONFIG_BLOCK structure.

Return Values:

Return Value	Definition
AGESA_UNSUPPORTED	Callback function not supported.
AGESA_ERROR	Disable port

4.10.2 AmdPortResetDeassert

Function: Deassert reset for device connected to PCIe port.

Push-High Callback ID: PHCB_amdPortResetDeassert

Prototype:

```
AGESA_STATUS (*CallOutPtr) (
    IN     UINT32 CallbackId,
    IN     UINTN PortIdBitMap,
    IN OUT AMD_NB_CONFIG_BLOCK *ConfigPtr
);
```

The parameters are defined as follows:

Parameter	Definition
PortIdBitMap	Bitmap of port id to deassert reset (0x4 - PortId 2, 0x8 - PortId 3, ...)
ConfigPtr	Pointer to the function's data structure. Refer to CIMx-NB.CHM for detailed definition of AMD_NB_CONFIG_BLOCK structure.

Return Values:

Return Value	Definition
AGESA_UNSUPPORTED	Callback function not supported.
AGESA_ERROR	Disable port

4.10.3 AmdPortResetAssert

Function: Assert reset for device connected to PCIe port.

Push-High Callback ID: PHCB_amdPortResetAssert

Prototype:

```

AGESA_STATUS (*CallOutPtr) (
    IN     UINT32 CallbackId,
    IN     UINTN PortIdBitMap,
    IN OUT AMD_NB_CONFIG_BLOCK *ConfigPtr
);

```

The parameters are defined as follows:

Parameter	Definition
PortIdBitMap	Bitmap of port id to assert reset (0x4 - PortId 2, 0x8 - PortId 3, ...)
ConfigPtr	Pointer to the function's data structure. Refer to CIMx-NB.CHM for detailed definition of the AMD_NB_CONFIG_BLOCK structure.

Return Values:

Return Value	Definition
AGESA_UNSUPPORTED	Callback function not supported.
AGESA_ERROR	Disable port

4.10.4 AmdPortResetSupported

Function: Check if there is controllable reset logic present for device connected to PCIe port.

Push-High Callback ID: PHCB_amdPortResetSupported

Prototype:

```

AGESA_STATUS (*CallOutPtr) (
    IN     UINT32 CallbackId,
    IN     UINTN PortId,
    IN OUT AMD_NB_CONFIG_BLOCK *ConfigPtr
);

```

The parameters are defined as follows:

Parameter	Definition
PortId	PCIe Port ID.
ConfigPtr	Pointer to the function's data structure. Refer to CIMx-NB.CHM for detailed definition of the AMD_NB_CONFIG_BLOCK structure.

Return Values:

Return Value	Definition
AGESA_UNSUPPORTED	Callback function not supported
AGESA_SUCCESS	Keep port enabled.
AGESA_ERROR	Disable PCIe port.

4.10.5 AmdAllocateBuffer

Function: Allocate memory buffer

ACPI handles used:

Handle Value	Definition
SRVI	IOMMU IVRS virtualization table

Usage: ACPI tables should be allocated via PMM function 0 with handle and size specified in BufferParamsPtr and the address must be returned in BufferParamsPtr. Expected usage is to allocate a buffer for CIM usage in early or mid post and to link the ACPI table, if one of the above handles is passed, after ACPI has been configured by the system BIOS.

Push-High Callback ID: PHCB_AmdAllocateBuffer

Prototype:

```

AGESA_STATUS (*CallOutPtr) (
    IN    UINT32  CallbackId,
    IN    NB_BUFFER_PARAMS *BufferParamPtr,
    IN OUT AMD_NB_CONFIG_BLOCK *ConfigPtr
);

```

The parameters are defined as follows:

Parameter	Definition
BufferParamPtr	Pointer to NB_PARAMS_PTR datatype containing length and place holder for address of allocated buffer (see CIMx-NB.CHM for more details).
ConfigPtr	Pointer to the function's data structure. Refer to CIMx-NB.CHM for detailed definition of the AMD_NB_CONFIG_BLOCK structure.

Return Values:

Return Value	Definition
AGESA_UNSUPPORTED	Callback function not implemented.
AGESA_SUCCESS	Memory allocation succeeded.
AGESA_ERROR	Memory allocation failed.

4.10.6 AmdFreeBuffer

Function: De-allocate memory buffer

Usage: Free the memory buffer via PMM function 2 with handle as specified in BufferParamsPtr, and clear the address in BufferParamsPtr on success. ACPI handles will not be explicitly freed, but should be linked into the ACPI table structure after it has been configured by the system BIOS. They may then be freed if necessary.

Push-High Callback ID: PHCB_AmdFreeBuffer

Prototype:

```

AGESA_STATUS (*CallOutPtr) (
    IN    UINT32 CallbackId,
    IN    NB_BUFFER_PARAMS *BufferParamPtr,
    IN OUT AMD_NB_CONFIG_BLOCK *ConfigPtr
);

```

The parameters are defined as follows:

Parameter	Definition
BufferParamPtr	Pointer to NB_PARAMS_PTR datatype containing handle of buffer to free (see CIMx-NB.CHM for more details).
ConfigPtr	Pointer to the function's data structure. Refer to CIMx-NB.CHM for detailed definition of the AMD_NB_CONFIG_BLOCK structure.

Return Values:

Return Value	Definition
AGESA_UNSUPPORTED	Callback function not implemented.
AGESA_SUCCESS	Memory allocation succeeded.
AGESA_ERROR	Memory allocation failed.

4.10.7 AmdGeneratePciReset

Function: Generate reset.

Push-High Callback ID: PHCB_amdGeneratePciReset

Prototype:

```

AGESA_STATUS (*CallOutPtr) (
    IN    UINT32 CallbackId,
    IN    UINTN ResetType,
    IN OUT AMD_NB_CONFIG_BLOCK *ConfigPtr
);

```

The parameters are defined as follows:

Parameter	Definition
ResetType	Reser type 0x01 - Warm Reset, 0x02 - Cold Reset
ConfigPtr	Pointer to the function's data structure. Refer to CIMx-NB.CHM for detailed definition of the AMD_NB_CONFIG_BLOCK structure.

Return Values:

Return Value	Definition
AGESA_SUCCESS	Debug feature to completely avoid reset generation.

4.10.8 AmdReportEvent

Function: Report event.

Push-High Callback ID: PHCB_AmdReportEvent

Prototype:

```

AGESA_STATUS (*CallOutPtr) (
    IN   UINT32 CallbackId,
    IN   AGESA_EVENT *Event,
    IN OUT AMD_NB_CONFIG_BLOCK *ConfigPtr
);

```

The parameters are defined as follows:

Parameter	Definition
Event	Pointer to event structure
ConfigPtr	Pointer to the function's data structure. Refer to CIMx-NB.CHM for detailed definition of the AMD_NB_CONFIG_BLOCK structure.

Return Values:

Return Value	Definition
AGESA_UNSUPPORTED	Callback function not implemented.
AGESA_SUCCESS	Event logging succeeded.
AGESA_ERROR	Event logging failed

4.10.9 AmdUpdateApicInterruptMapping

Function: Update default I/O APIC interrupt mapping.

Push-High Callback ID: PHCB_AmdUpdateApicInterruptMapping

Prototype:

```

AGESA_STATUS (*CallOutPtr) (
    IN   UINT32 CallbackId,
    IN   APIC_DEVICE_INFO *pApicPortInfo,
    IN OUT AMD_NB_CONFIG_BLOCK *ConfigPtr
);

```

The parameters are defined as follows:

Parameter	Definition
pApicPortInfo	Pointer to array of structures containing default IO APIC interrupt mapping info. For default interrupt mapping info (see CIMx-NB.CHM for more details).
ConfigPtr	Pointer to the function's data structure. Refer to CIMx-NB.CHM for detailed definition of the AMD_NB_CONFIG_BLOCK structure.

Return Values:

Return Value	Definition
AGESA_UNSUPPORTED	Callback function not implemented (default interrupt mapping will be used).
AGESA_SUCCESS	Interrupt table updated.

4.10.10 AmdPcieAspmInfo

Function: Update PCIe link ASMP info.

Push-High Callback ID: PHCB_AmdPcieAspmInfo

Prototype:

```

AGESA_STATUS (*CallOutPtr) (
    IN    UINT32  CallbackId,
    IN    ASPM_LINK_INFO *pAspmLinkInfo,
    IN OUT AMD_NB_CONFIG_BLOCK *ConfigPtr
);

```

The parameters are defined as follows:

Parameter	Definition
pAspmLinkInfo	Pointer to structure containing ASPM link information (see CIMx-NB.CHM for more details).
ConfigPtr	Pointer to the function's data structure. Refer to CIMx-NB.CHM for detailed definition of the AMD_NB_CONFIG_BLOCK structure.

Return Values:

Return Value	Definition
AGESA_UNSUPPORTED	Callback function not implemented (default interrupt mapping will be used).
AGESA_SUCCESS	Link ASPM info updated.

4.11 Architectural Details of IOMMU**4.11.1 Theory of Operation**

The IOMMU is a system function that translates addresses used in DMA transactions, protects memory from illegal access by I/O devices, and remaps peripheral interrupts. A single northbridge will typically include one IOMMU device for all the components of that device. Unlike many PCI devices, the base address may be written only once, and is located in the IOMMU capability block.

There are three logical components to configuring an IOMMU. First, each IOMMU will be initialized and granted a base address. Second, all IOMMU devices will be described in an ACPI table. Third, the ACPI table will be patched with the APIC IDs, found from the ACPI MADT table, for each northbridge.

4.11.2 Requirements

In order to enable the IOMMU two pieces of data are necessary:

IommuBaseAddress – a 16KB aligned memory 64-bit memory address where the IOMMU will be located in memory. It must be provided in each northbridge configuration block, as each IOMMU in a multi-northbridge configuration will

require resources to be assigned. If a value of NULL or 0 is provided, the IOMMU corresponding to that northbridge block will be disabled (*see CIMX-NB.CHM for more details on the northbridge configuration structure*)

AmdAllocateBuffer is a callback made to the host BIOS in order to reserve a memory buffer where the IVRS is to be created. A single IVRS table will be created for all IOMMU devices found in a system (*see CIMX-NB.CHM for more details*).

4.11.3 Execution

Enabling the IOMMU is done as a three step process in AmdMidPost and AmdLatePost. An IVRS table will be returned, which must be added to the ACPI table hierarchy. The final patch phase must be run after the ACPI MADT and ACPI IVRS tables are linked to the RSDT.

IOMMU Initialization (AmdMidPostInit) – Each northbridge is checked for a compatible IOMMU type, subsystem ID is programmed to match the northbridge, and initial settings are made.

ACPI IVRS Initialization (AmdMidPostInit) – The IVRS (I/O Virtualization Structure) is generated for the system, and each IOMMU is given an IVHD sub-entry. The peripheral device hierarchy respective to each IOMMU is programmed as well.

ACPI IVRS Patching (AmdLatePostInit) – Each IVRS special device (type 72) entry for AMD devices is patched with an instance handle. In the case of the IOAPIC entry, the APIC ID is patched by correlating the ACPI MADT IOAPIC base address entry to the AMD northbridge or southbridge device, and programming this APIC identifier into the handle field in the type 72 entry.

4.12 Legacy Wrapper Example

See Legacy wrapper example implementation located at \Addendum\RD890\Wrapper in CIMx package.

This page is left blank intentionally.

Chapter 5

UEFI Support

5.1 UEFI Driver Information

For UEFI driver information see CIMx-NB.CHM file.

This page is left blank intentionally.

Chapter 6

Power Management

6.1 Sx State Power Management

During certain Sx states (such as S1) the system maintains power to the SR5690/5670/5650 and all register settings are retained, therefore, no action is required when the system resumes. However, under other S states (such as S3), typical designs will shut down power to the SR5690/5670/5650 and all of the register settings will be lost.

The SBIOS is responsible for reinitializing all of the SR5690/5670/5650 registers. Reinitializing the SR5690/5670/5650 registers after S3 can be done by either restoring the tables of register settings which were saved to non-volatile storage prior to entering S3, or by initializing all registers as if from cold.

For most configurations restoration by table is not practical. The recommendation is to re-execute the initialization code.

The remaining NB registers are covered in section [6.1.1](#).

6.1.1 Register Restoration

The registers listed in this section are restored after the system memory is made available by bringing the system RAM out of self refresh mode.

On SR5690/5670/5650 designs, the main system memory is controlled by the memory controller in the AMD CPU. (For more information on saving and restoring the memory controller settings, along with entering and exiting self refresh mode, refer to the “AMD Kernel BIOS Writers Guide”). The reference BIOS saves the registers listed in this section prior to entering S3. It then restores them after system memory is available on resume from S3.

Note: The list of registers in the following sections is subject to change. If an OEM customer changes any other registers in the SR5690/5670/5650 during POST, then they must also be restored on an S3 resume.

- Northbridge (0:0:0)
 - 0x04 - 0x06
 - 0x4C - 0x4F
 - 0x8C - 0x8F
- PCIe[®] bridges (0:2/3/4/5/7/9/10/11/12/13:0)
 - 0x18 - 0x1B
 - 0x20 - 0x23
 - 0x24 - 0x27
 - 0x2C - 0x2F
 - 0x04 - 0x06

6.1.2 Resume from S3 State

When the system wakes up from S3 the BIOS is initially executed from ROM, once it is determined this is an S3 resume. The SBIOS is responsible for restoring the system memory controller’s configuration as outlined in the “AMD Kernel BIOS Writer’s Guide”.

Once the system memory is available the BIOS should then restore the SR5690/5670/5650 registers that were saved prior to entering S3.

This page is left blank intentionally.

Appendix A

Revision History

Rev 3.00 (Nov 2010)

- Public release.
- General edits.

Rev 1.02 (Nov 2009)

- Updated [Table 3-2 “I/O APIC Interrupt Mapping”, on page 3-2.](#)

Rev 1.01 (May 2009)

- Added variant SR5650 to the document.
- Added new sections to Chapter 3: IRQ Mapping.
- Updated prototype code in [section 4.8.3, “AmdBridge32 Procedure,” on page 4- 7.](#)
- Added new [section 4.9.3, “AmdHiInit,” on page 4- 9.](#)
- Added a note to [section 4.9.7, “AmdLatePostInit,” on page 4- 10.](#)
- In all interface calls in [section 4.10, “Interface Callback,” on page 4- 11](#), changed Nbx... to Amdxx...; similarly changed PCIex... to Amdxx....
- Added return values to [section 4.10.1, “AmdPortTrainingCompleted,” on page 4- 11.](#)
- Added return values to [section 4.10.2, “AmdPortResetDeassert,” on page 4- 11.](#)
- Added return values to [section 4.10.3, “AmdPortResetAssert,” on page 4- 12.](#)
- Added two more return values to [section 4.10.4, “AmdPortResetSupported,” on page 4- 12.](#)
- Added new sections 4.10.5 to 4.10.10.
- Added new section [section 4.12, “Legacy Wrapper Example ,” on page 4- 17.](#)

Rev 1.00 (July 2008)

- Preliminary OEM release.

This page intentionally left blank.